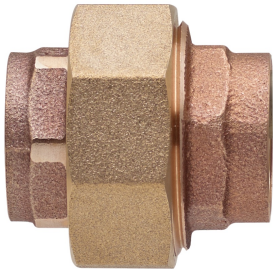
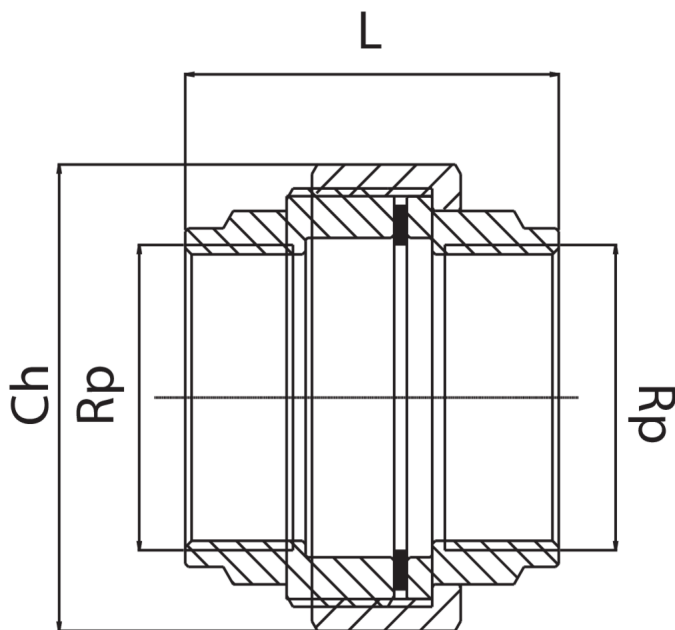


## RB3330

Bocchettone a sede piana filettato femmina.



### Specifiche tecniche



RP	BAG	MASTER BOX	CODICE	CH	L
1/4"	5	200	RB3330A14A14000	27	38
3/8"	5	80	RB3330A38A38000	30	38
1/2"	5	80	RB3330A12A12000	37	42
3/4"	5	80	RB3330A34A34000	46	46
1"	5	40	RB3330B01B01000	52	50
1"1/4	1	45	RB3330B14B14000	64	59
1"1/2	1	12	RB3330B12B12000	73	60
2"	1	10	RB3330C02C02000	89	72

# Applicazioni



DRINKING WATER



HEATING



HVAC



GAS



COMPRESSED AIR



SOLAR



FIREFIGHTING