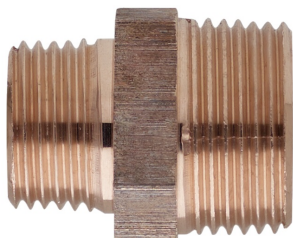
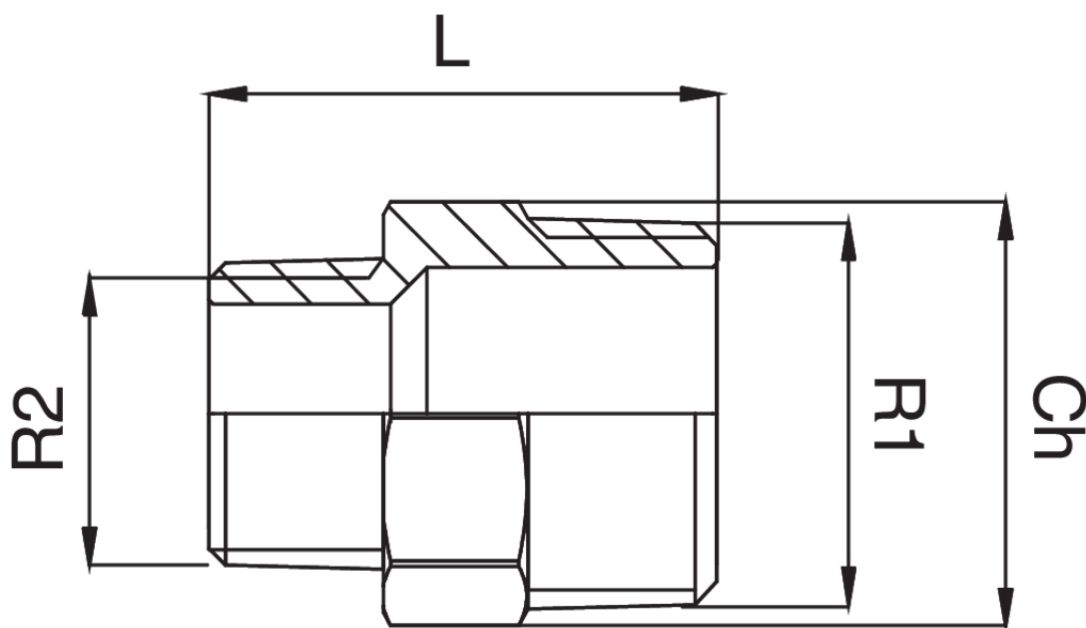


RB3245

Manicotto di riduzione filettato maschio.



Specifiche tecniche



R1 X R2	BAG	MASTER BOX	CODICE	CH	L
1/2" x 3/8"	10	300	RB3245A12A38000	21	28
3/4" x 1/2"	10	150	RB3245A34A12000	27	33
1" x 1/2"	10	100	RB3245B01A12000	34	37
1" x 3/4"	10	100	RB3245B01A34000	34	38
1"1/4 x 3/4"	1	40	RB3245B14A34000	42	41
1"1/4 x 1"	5	40	RB3245B14B01000	42	43
1"1/2 x 1"	5	40	RB3245B12B01000	48	45
1"1/2 x 1"1/4	5	40	RB3245B12B14000	48	47
2" x 1"1/2	5	20	RB3245C02B12000	60	55

Applicazioni



DRINKING WATER



HEATING



HVAC



GAS



COMPRESSED AIR



SOLAR



FIREFIGHTING