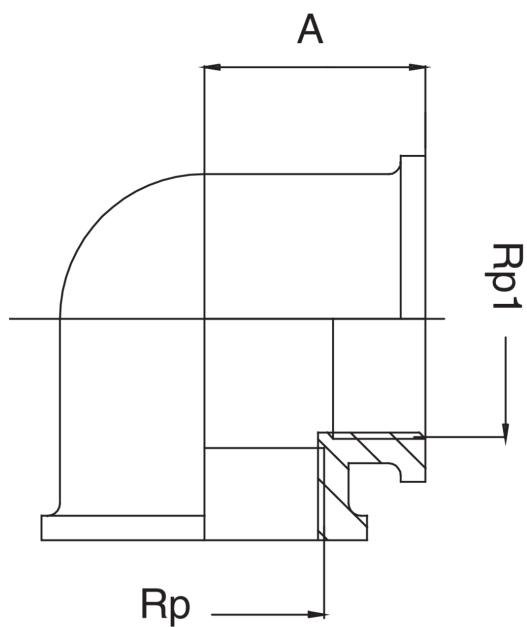


## KR5090

Gomito filettato femmina.



### Specifiche tecniche



RP X RP1	BAG	MASTER BOX	CODICE	A
3/8" x 3/8"	10	150	KR5090A38A38000	21
1/2" x 1/2"	10	100	KR5090A12A12000	25
3/4" x 3/4"	10	70	KR5090A34A34000	27
1" x 1"	5	40	KR5090B01B01000	21

# Applicazioni



DRINKING  
WATER



HEATING



HVAC