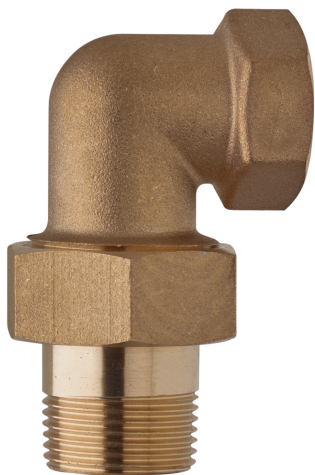
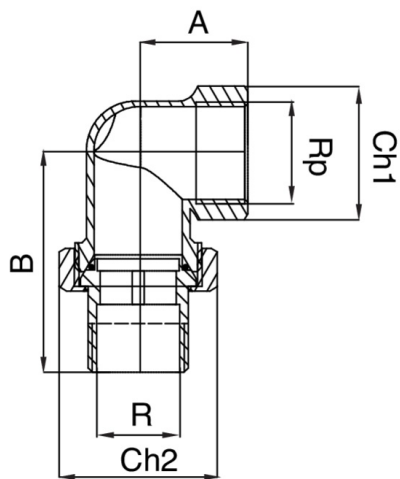


## OT5098

Bocchettone curvo filettato maschio-femmina a sede piana.



### Specifiche tecniche



RP X R	BAG	MASTER BOX	CODICE	A	B	CH1	CH2
3/8" x 3/8"	10	100	OT5098A38A38000	23	46	21	27
1/2" x 1/2"	10	80	OT5098A12A12000	25	53	26	30
3/4" x 3/4"	5	50	OT5098A34A34000	26	60	31	37
1" x 1"	5	25	OT5098B01B01000	33	68	37	46
1"1/4 x 1"1/4	1	15	OT5098B14B14000	40	80	48	52
1"1/2 x 1"1/2	1	10	OT5098B12B12000	40	93	55	64
2" x 2"	1	5	OT5098C02C02000	55	105	70	82

## Applicazioni



DRINKING  
WATER



HEATING



HVAC



GAS



COMPRESSED  
AIR



SOLAR



FIREFIGHTING