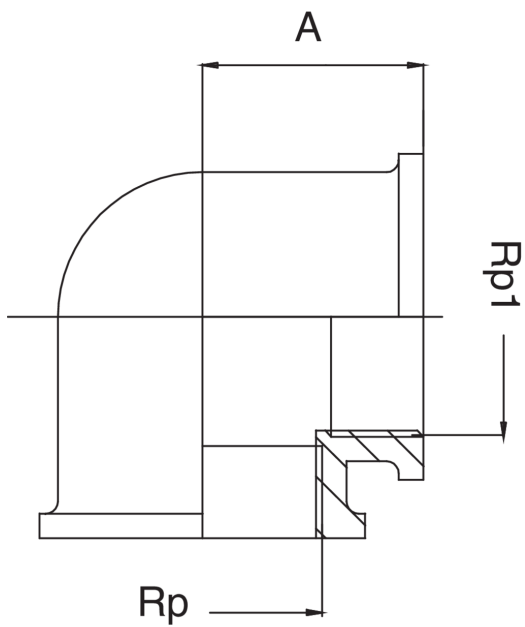


OT5090

Gomito filettato femmina.



Specifiche tecniche



| RP X RP1 | BAG | MASTER BOX | CODICE | A |
|---------------|-----|------------|-----------------|----|
| 1/4" x 1/4" | 10 | 200 | OT5090A14A14000 | 19 |
| 3/8" x 3/8" | 10 | 150 | OT5090A38A38000 | 21 |
| 1/2" x 1/2" | 10 | 100 | OT5090A12A12000 | 25 |
| 1/2" x 3/4" | 10 | 100 | OT5090A12A34000 | 26 |
| 3/4" x 3/4" | 5 | 70 | OT5090A34A34000 | 27 |
| 1" x 3/4" | 10 | 50 | OT5090B01A34000 | 29 |
| 1" x 1" | 5 | 40 | OT5090B01B01000 | 31 |
| 1"1/4 x 1"1/4 | 5 | 25 | OT5090B14B14000 | 40 |
| 1"1/2 x 1"1/2 | 5 | 15 | OT5090B12B12000 | 45 |
| 2" x 2" | 1 | 10 | OT5090C02C02000 | 50 |
| 2"1/2 x 2"1/2 | 1 | 4 | OT5090C12C12000 | 60 |
| 3" x 3" | 1 | 5 | OT5090D03D03000 | 70 |

Applicazioni



DRINKING
WATER



HEATING



HVAC



GAS



COMPRESSED
AIR



SOLAR



FIREFIGHTING