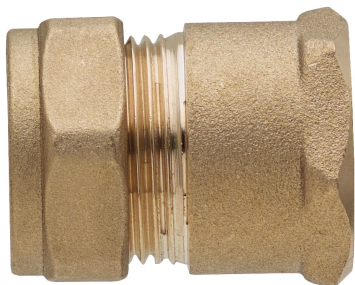
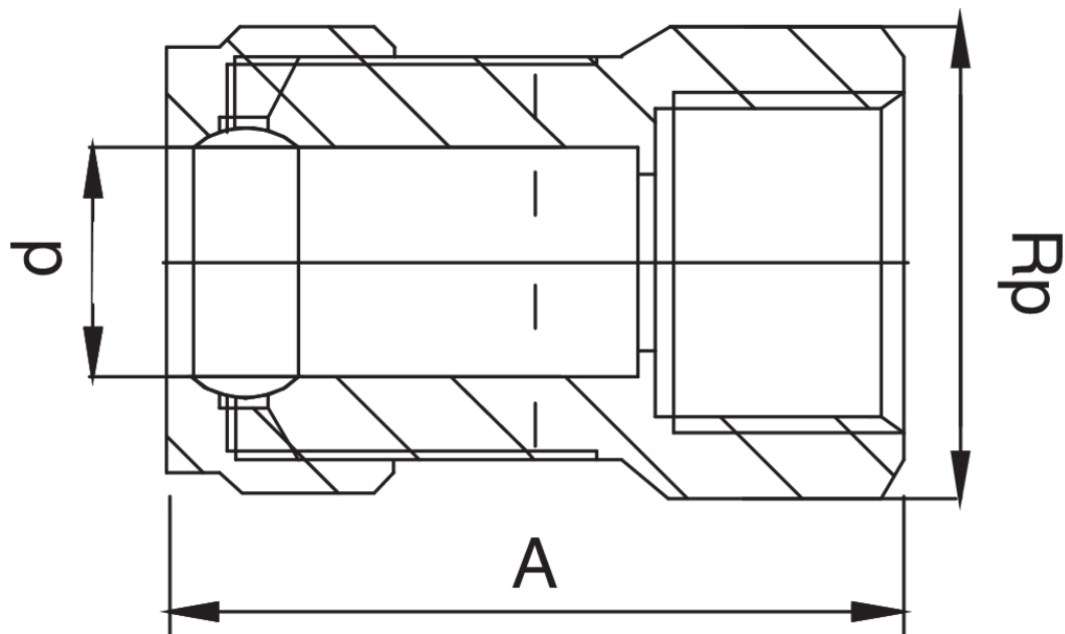


OT6010

Manicotto riduzione femmina filettato femmina.



Specifiche tecniche



| D X RP | BAG | MASTER BOX | CODICE | A |
|-----------|-----|------------|-----------------|------|
| 8 x 1/4" | 10 | 100 | OT6010A14008000 | 28 |
| 8 x 3/8" | 10 | 100 | OT6010A38008000 | 28 |
| 10 x 1/4" | 10 | 100 | OT6010A14010000 | 28 |
| 10 x 3/8" | 10 | 200 | OT6010A38010000 | 28 |
| 10 x 1/2" | 10 | 250 | OT6010A12010000 | 30 |
| 12 x 3/8" | 10 | 700 | OT6010A38012000 | 28,5 |
| 12 x 1/2" | 10 | 200 | OT6010A12012000 | 30 |
| 14 x 3/8" | 10 | 700 | OT6010A38014000 | 30,5 |
| 14 x 1/2" | 10 | 250 | OT6010A12014000 | 31 |
| 15 x 3/8" | 10 | 100 | OT6010A38015000 | 31 |
| 15 x 1/2" | 10 | 250 | OT6010A12015000 | 34 |
| 15 x 3/4" | 10 | 100 | OT6010A34015000 | 38 |
| 16 x 1/2" | 10 | 250 | OT6010A12016000 | 32 |
| 16 x 3/4" | 10 | 100 | OT6010A34016000 | 38 |
| 18 x 1/2" | 10 | 100 | OT6010A12018000 | 32,5 |
| 18 x 3/4" | 10 | 100 | OT6010A34018000 | 38,5 |
| 22 x 3/4" | 10 | 100 | OT6010A34022000 | 37,5 |
| 22 x 1" | 10 | 50 | OT6010B01022000 | 39,5 |
| 28 x 1" | 10 | 80 | OT6010B01028000 | 44 |

Applicazioni



DRINKING
WATER



HEATING



HVAC



GAS



COMPRESSED
AIR



SOLAR