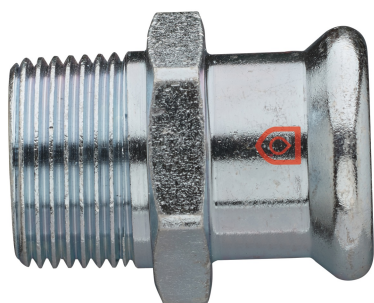
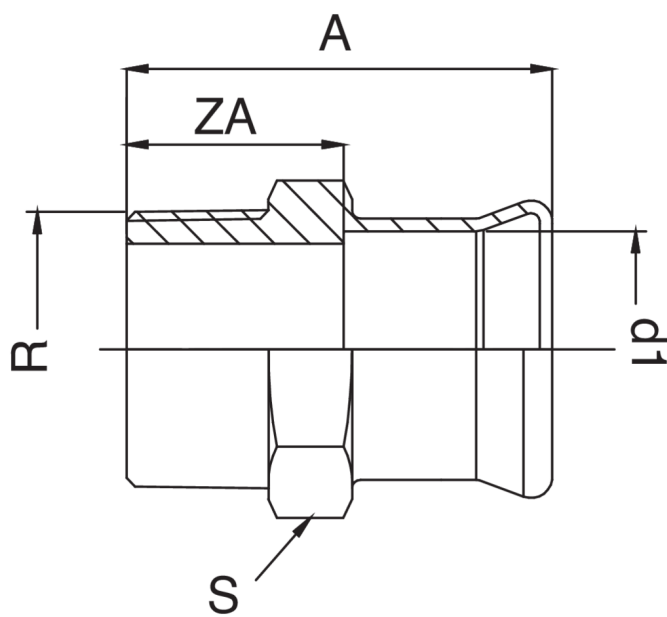


Manicotto F/filetto maschio.



Specifiche tecniche



Multiutility

D1 X R	BAG	MASTER BOX	CODICE	A	S	ZA
35 x 1"1/4	5	40	CMF243B14035000	55	46	29
42 x 1"1/2	5	20	CMF243B12042000	55	55	25
54 x 2"	1	10	CMF243C02054000	68,5	70	33,5

Idrotermo sanitaria (ITS)

D1 X R	BAG	MASTER BOX	CODICE	A	S	ZA
15 x 3/8"	10	100	CMF243A38015000	34	24	14
15 x 1/2"	10	150	CMF243A12015000	37,5	24	17,5
15 x 3/4"	10	200	CMF243A34015000	46	19	16,3
18 x 1/2"	10	150	CMF243A12018000	37,5	27	17,5
18 x 3/4"	10	100	CMF243A34018000	41	27	21
22 x 1/2"	10	100	CMF243A12022000	40,5	32	17,5
22 x 3/4"	10	100	CMF243A34022000	44	32	21
22 x 1"	5	50	CMF243B01022000	47	34	24
28 x 3/4"	5	70	CMF243A34028000	45	38	22
28 x 1"	5	50	CMF243B01028000	48	38	25
35 x 1"	5	40	CMF243B01035000	52	50	26

Applicazioni



HEATING



HVAC



COMPRESSED
AIR