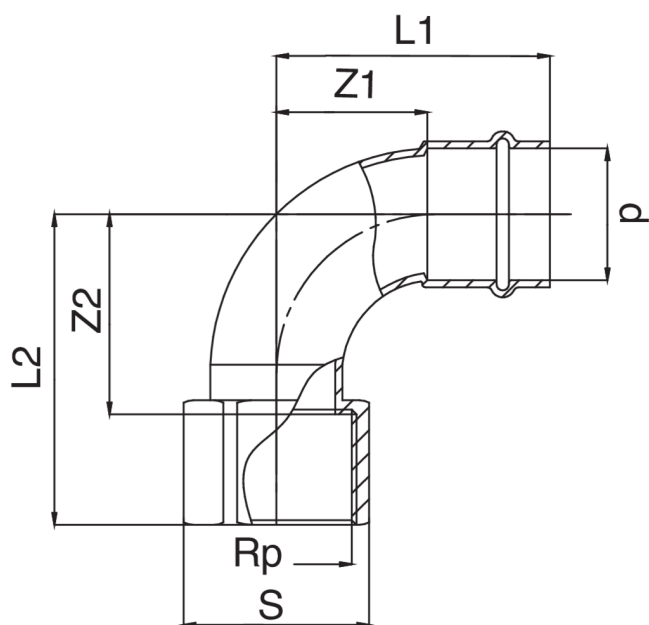




Curva 90° femmina filettata femmina.



Specifiche tecniche



D X RP	BAG	MASTER BOX	CODICE	L1	L2	S	Z1	Z2
15 x 1/2"	10	100	ZC0F90A12015000	42	45	27	20	32
18 x 1/2"	10	150	ZC0F90A12018000	45	50	27	22	37
18 x 3/4"	10	80	ZC0F90A34018000	45	53	32	22	38
22 x 3/4"	10	50	ZC0F90A34022000	51	53	32	27	38
28 x 1"	5	30	ZC0F90B01028000	61	70	38	36	54
35 x 1"	5	20	ZC0F90B01035000	69	79	38	43	60
35 x 1"1/4	1	20	ZC0F90B14035000	69	82	48	43	61
42 x 1"1/2	1	10	ZC0F90B12042000	89	87	55	53	66
54 x 1"1/2	1	10	ZC0F90B12054000	114	99	60	74	78
54 x 2"	1	5	ZC0F90C02054000	114	110	70	74	85

Applicazioni



HEATING



HVAC



COMPRESSED
AIR