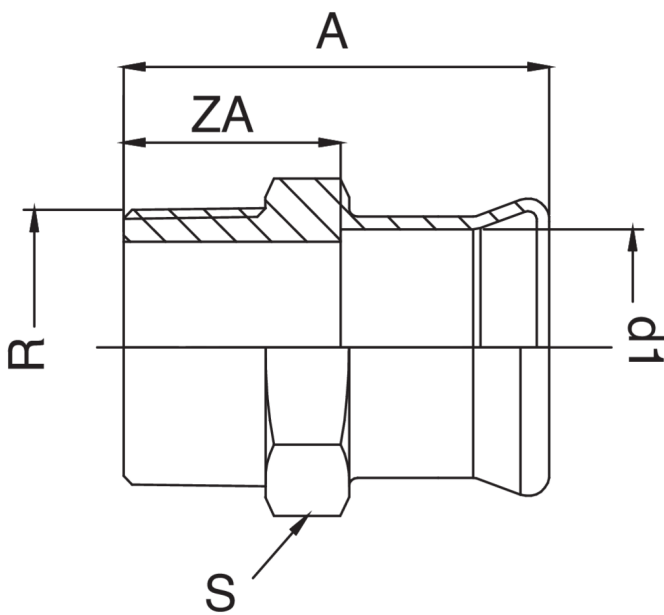


Manicotto F/filetto maschio.



Specifiche tecniche



D1 X R	BAG	MASTER BOX	CODICE	A	S	ZA
15 x 1/2"	10	50	MXF243A12015000	43	25	21,5
15 x 3/4"	10	200	MXF243A34015000	46	19	16,3
18 x 1/2"	10	150	MXF243A12018000	44	25	21,5
18 x 3/4"	10	30	MXF243A34018000	45	32	22,5
22 x 1/2"	5	100	MXF243A12022000	45	32	21,5
22 x 3/4"	10	100	MXF243A34022000	46	32	22,5
22 x 1"	10	50	MXF243B01022000	55	38	31,5
28 x 3/4"	5	70	MXF243A34028000	57	32	32,5
28 x 1"	5	50	MXF243B01028000	57	38	32,5
28 x 1"1/4	5	90	MXF243B14028000	60	22	21,4
35 x 1"	5	40	MXF243B01035000	60	38	34,5
35 x 1"1/4	5	40	MXF243B14035000	60	50	34,5
35 x 1"1/2	1	40	MXF243B12035000	62	55	36,5
42 x 1"1/4	1	25	MXF243B14042000	-	-	-
42 x 1"1/2	1	20	MXF243B12042000	72	55	36,5
54 x 1"1/2	1	20	MXF243B12054000	68,5	65	33,5
54 x 2"	1	15	MXF243C02054000	83	64	43,5

Applicazioni



DRINKING
WATER



HEATING



HVAC



COMPRESSED
AIR



FIREFIGHTING



MARINE



STEAM



SOLAR



INDUSTRIAL