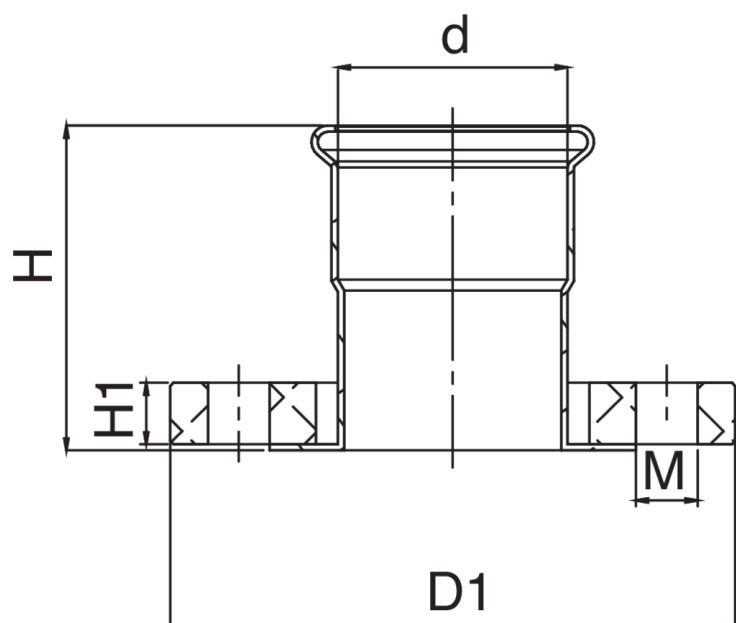




Manicotto flangiato F PN16.



Specifiche tecniche



D	BAG	MASTER BOX	CODICE	D1	H	H1	M
15	5	40	MX0273015000000	95	56,5	12	14
18	5	40	MX0273018000000	95	58,5	12	14
22	1	10	MX0273022000000	105	59	12	14
28	1	5	MX0273028000000	114	65	14	14
35	1	5	MX0273035000000	140	70	15	18
42	1	3	MX0273042000000	150	77	16	18
54	1	2	MX0273054000000	165	86	18	18

Applicazioni



DRINKING
WATER



HEATING



HVAC



COMPRESSED
AIR



FIREFIGHTING



MARINE



STEAM



SOLAR



INDUSTRIAL