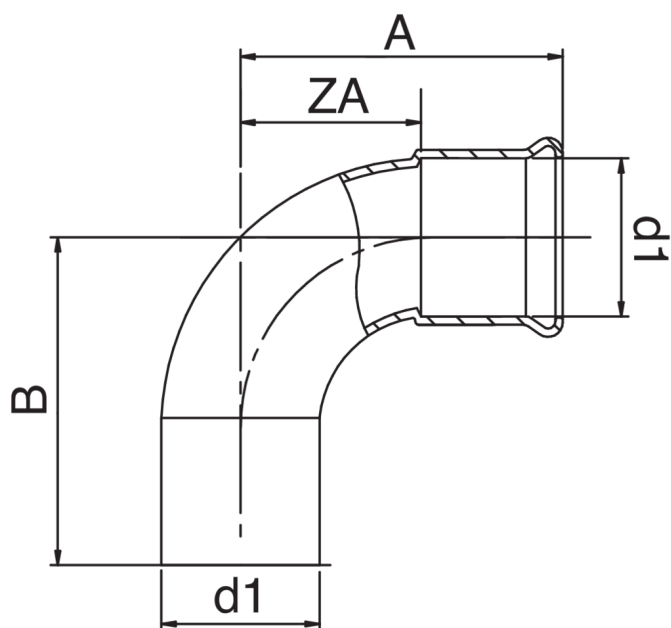




Curva 90° M/F.



Specifiche tecniche



D1	BAG	MASTER BOX	CODICE	A	B	ZA
15	10	100	MX0001015015000	39	45	19,5
18	10	100	MX0001018018000	43	49	23,5
22	10	70	MX0001022022000	48	54	25,5
28	5	40	MX0001028028000	57	63	34,5
35	5	25	MX0001035035000	68	74	42,5
42	1	10	MX0001042042000	83	89	53,5
54	1	4	MX0001054054000	102	108	67,5

Applicazioni



DRINKING
WATER



HEATING



HVAC



COMPRESSED
AIR



FIREFIGHTING



MARINE



STEAM



SOLAR



INDUSTRIAL