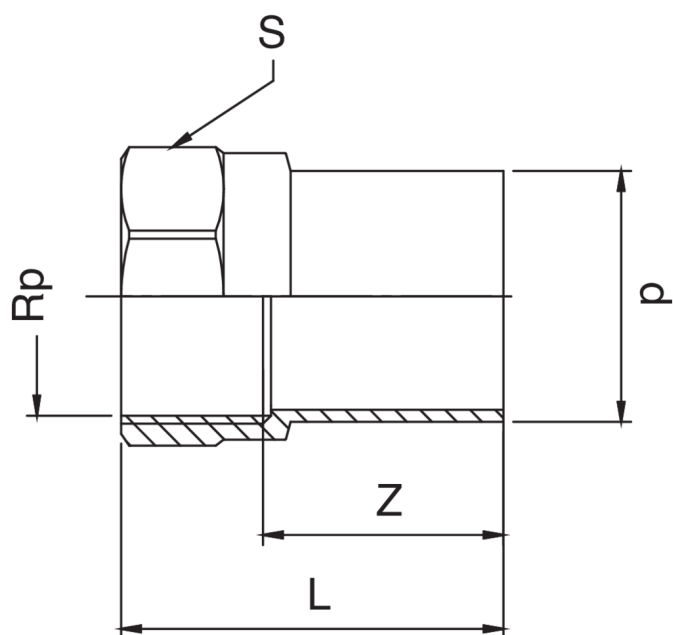


Manicotto maschio filettato femmina.



## Specifiche tecniche



| D X RP     | BAG | MASTER BOX | CODICE          | L  | S  | Z  |
|------------|-----|------------|-----------------|----|----|----|
| 12 x 3/8"  | 10  | 200        | RS8272A38012000 | 37 | 21 | 25 |
| 12 x 1/2"  | 10  | 200        | RS8272A12012000 | 41 | 25 | 26 |
| 15 x 3/8"  | 10  | 200        | RS8272A38015000 | 41 | 21 | 29 |
| 15 x 1/2"  | 10  | 200        | RS8272A12015000 | 45 | 25 | 30 |
| 18 x 1/2"  | 10  | 150        | RS8272A12018000 | 46 | 25 | 31 |
| 18 x 3/4"  | 10  | 100        | RS8272A34018000 | 48 | 31 | 31 |
| 22 x 1/2"  | 10  | 100        | RS8272A12022000 | 47 | 25 | 32 |
| 22 x 3/4"  | 10  | 80         | RS8272A34022000 | 49 | 31 | 32 |
| 28 x 1"    | 5   | 40         | RS8272B01028000 | 54 | 38 | 34 |
| 35 x 1"1/4 | 5   | 20         | RS8272B14035000 | 57 | 48 | 35 |
| 42 x 1"1/2 | 5   | 20         | RS8272B12042000 | 68 | 55 | 46 |
| 54 x 2"    | 1   | 10         | RS8272C02054000 | 76 | 68 | 50 |

## Applicazioni



DRINKING  
WATER



HEATING



HVAC



COMPRESSED  
AIR



FIREFIGHTING



GAS