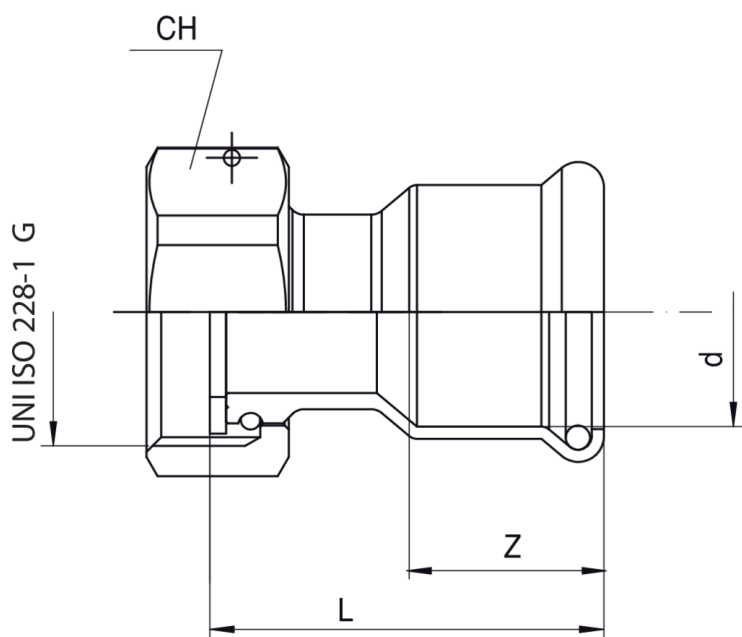


Manicotto femmina con girello in acciaio inossidabile.

NEW



Specifiche tecniche



| DX G | BAG | MASTER BOX | CODICE | CH | L | Z |
|-------------|-----|------------|-----------------|----|------|------|
| 15 x 3/4" | 10 | 200 | MXF358A34015000 | 30 | 31,5 | 19 |
| 18 x 3/4" | 10 | 200 | MXF358A34018000 | 30 | 31,5 | 19,5 |
| 22 x 1" | 5 | 120 | MXF358B01022000 | 37 | 29 | 21 |
| 28 x 1 1/4" | 5 | 100 | MXF358B14028000 | 47 | 34,5 | 22 |

Applicazioni



DRINKING WATER



HEATING



HVAC



COMPRESSED AIR



FIREFIGHTING



MARINE



STEAM



SOLAR



INDUSTRIAL