

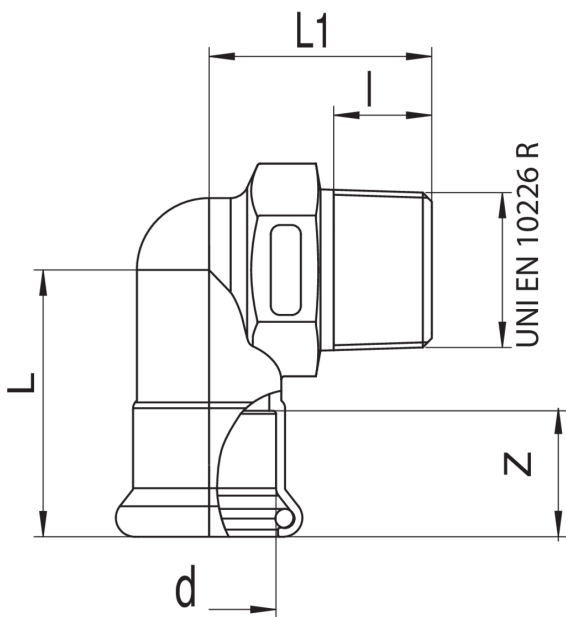


Gomito femmina filettato maschio.

NEW



Specifiche tecniche



D X R	BAG	MASTER BOX	CODICE	L	L1	Z	L
15 x 1/2"	10	200	MXF92QA12015000	40	35,5	19	15
18 x 1/2"	10	150	MXF92QA12018000	40	35,5	19,5	15
22 x 3/4"	5	100	MXF92QA34022000	44,5	37	21	16,3
28 x 1"	5	50	MXF92QB1028000	50	48	22	19,1
35 x 1"1/4	5	40	MXF92QB14035000	60	48	27	21,4
42 x 1"1/2"	2	28	MXF92QB12042000	66	53	30	21,4
54 x 2"	2	16	MXF92QC02054000	78	62	35	25,5

Applicazioni



DRINKING
WATER



HEATING



HVAC



COMPRESSED
AIR



FIREFIGHTING



MARINE



STEAM



SOLAR



INDUSTRIAL