



**FRABO**

**frabo**  
**press**  
316 M  
**MX0047**

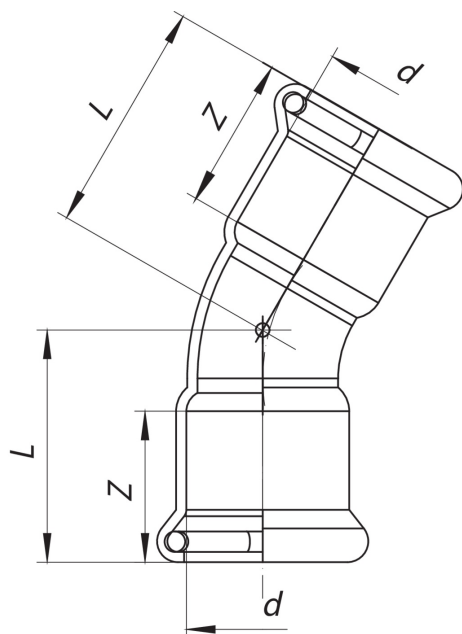


Curva 30° femmina.

**NEW**



## Specifiche tecniche



D	BAG	MASTER BOX	CODICE	L	Z
15	10	250	MX0047015015000	32,5	19
18	10	250	MX0047018018000	29,5	19,5
22	5	120	MX0047022022000	34	21
28	5	60	MX0047028028000	36	22
35	5	40	MX0047035035000	61,3	27
42	2	30	MX0047042042000	75,8	30
54	2	16	MX0047054054000	90,5	35

## Applicazioni



DRINKING  
WATER



HEATING



HVAC



COMPRESSED  
AIR



FIREFIGHTING



MARINE



STEAM



SOLAR



INDUSTRIAL