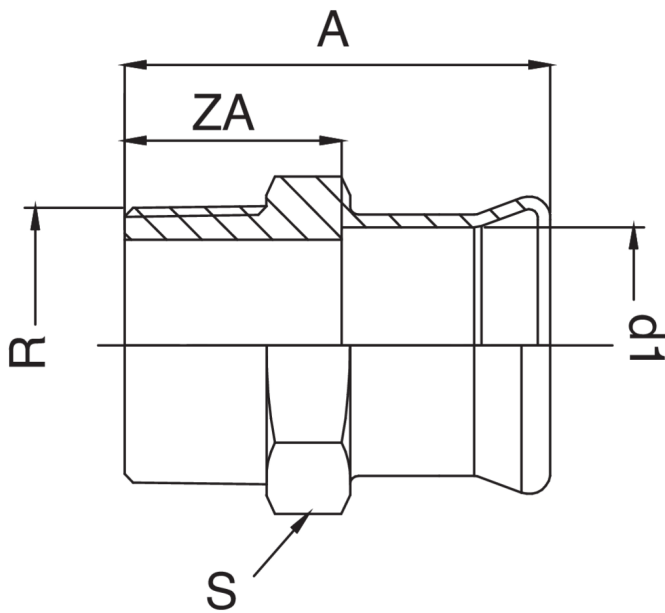


Manicotto F/filetto maschio.

## Specifiche tecniche



| D1 X R     | BAG | MASTER BOX | CODICE          | A  | S  | ZA   |
|------------|-----|------------|-----------------|----|----|------|
| 15 x 1/2"  | 10  | 50         | GMF243A12015000 | 43 | 25 | 21,5 |
| 18 x 1/2"  | 10  | 150        | GMF243A12018000 | 44 | 25 | 21,5 |
| 22 x 1/2"  | 5   | 100        | GMF243A12022000 | 45 | 32 | 21,5 |
| 22 x 3/4"  | 10  | 50         | GMF243A34022000 | 46 | 32 | 22,5 |
| 22 x 1"    | 10  | 50         | GMF243B01022000 | 55 | 38 | 31,5 |
| 28 x 1"    | 5   | 50         | GMF243B01028000 | 57 | 38 | 32,5 |
| 35 x 1"    | 5   | 40         | GMF243B01035000 | 60 | 38 | 34,5 |
| 35 x 1"1/2 | 5   | 60         | GMF243B12035000 | 61 | 27 | 21,4 |
| 35 x 1"1/4 | 5   | 40         | GMF243B14035000 | 60 | 50 | 34,5 |
| 42 x 1"1/2 | 1   | 20         | GMF243B12042000 | 72 | 55 | 36,5 |
| 54 x 2"    | 1   | 15         | GMF243C02054000 | 83 | 64 | 43,5 |

## Applicazioni



GAS



COMPRESSED  
AIR



INDUSTRIAL