



**FRABO**

**frabo**  
**press**  
316 V  
**ZXF92L**

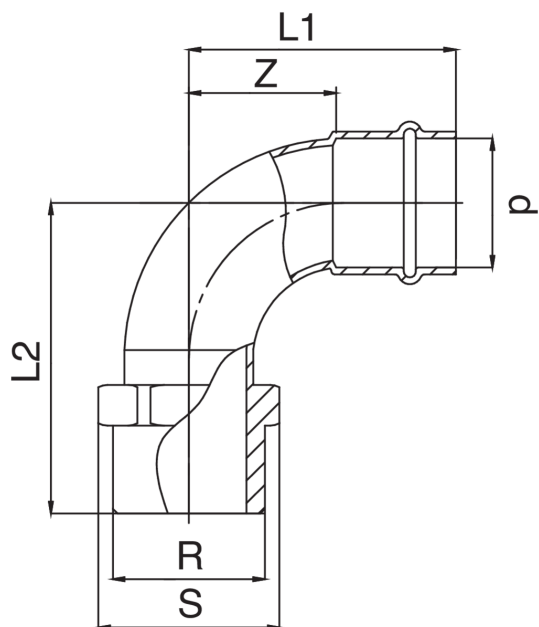
**BREVETTATO**



Curva 90° F/filetto maschio.



## Specifiche tecniche



<b>D X R</b>	<b>BAG</b>	<b>MASTER BOX</b>	<b>CODICE</b>	<b>L1</b>	<b>L2</b>	<b>S</b>	<b>Z</b>
15 x 1/2"	5	30	ZXF92LA12015000	53	45	25	31
18 x 1/2"	5	30	ZXF92LA12018000	65	56	24	36
22 x 1/2"	5	60	ZXF92LA12022000	61	58	25	37
22 x 3/4"	5	20	ZXF92LA34022000	64	60	30	40
28 x 1"	5	15	ZXF92LB01028000	83	75	38	50
35 x 1"1/4	1	10	ZXF92LB14035000	92	87	45	66
42 x 1"1/2	1	10	ZXF92LB12042000	111	102	50	75
54 x 2"	1	5	ZXF92LC02054000	142	120	70	91

## Applicazioni



DRINKING WATER



HEATING



HVAC



COMPRESSED AIR



FIREFIGHTING



MARINE



STEAM



SOLAR



INDUSTRIAL