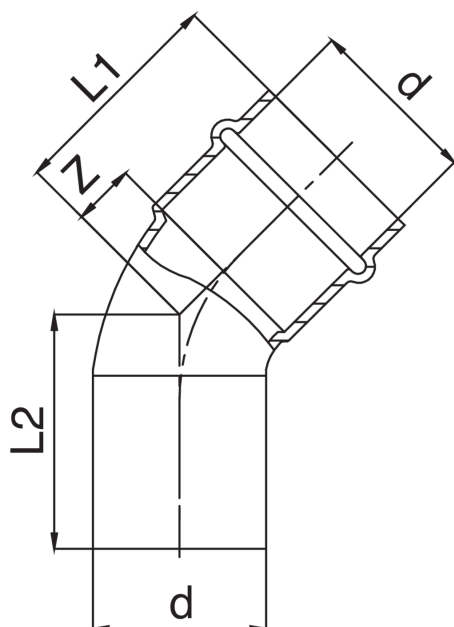




Curva 45° maschio-femmina.

Specifiche tecniche



| D | BAG | MASTER BOX | CODICE | L1 | L2 | Z |
|----|-----|------------|-----------------|----|----|----|
| 15 | 10 | 40 | ZX0040015015000 | 29 | 30 | 7 |
| 18 | 10 | 100 | ZX0040018018000 | 31 | 32 | 8 |
| 22 | 10 | 60 | ZX0040022022000 | 34 | 35 | 10 |
| 28 | 5 | 40 | ZX0040028028000 | 38 | 39 | 13 |
| 35 | 5 | 30 | ZX0040035035000 | 43 | 44 | 17 |
| 42 | 1 | 20 | ZX0040042042000 | 53 | 54 | 17 |
| 54 | 1 | 10 | ZX0040054054000 | 69 | 70 | 29 |

Disponibile versione big-size, art. AX0040.

Applicazioni



DRINKING
WATER



HEATING



HVAC



COMPRESSED
AIR



FIREFIGHTING



MARINE



STEAM



SOLAR



INDUSTRIAL