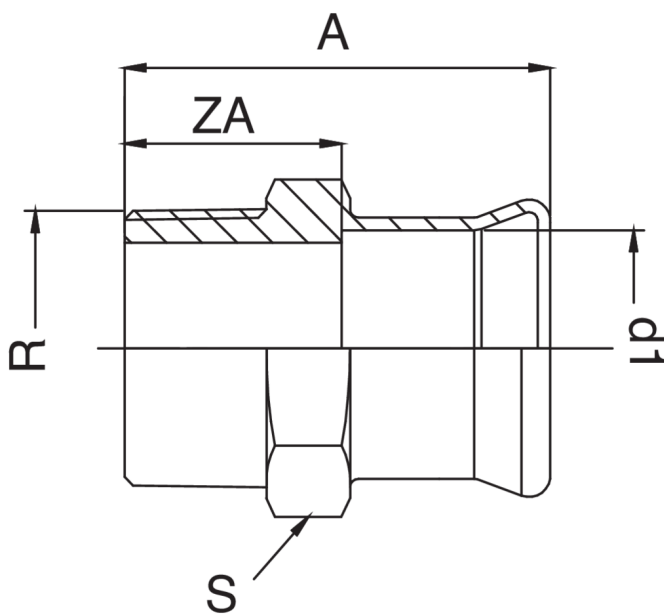


Manchon F/filetage mâle.



Spécifications techniques



D1 X R	BAG	MASTER BOX	CODE	A	S	ZA
76,1 x 2"1/2	1	8	AXF243C12076000	128	86	73
88,9 x 3"	1	5	AXF243D03089000	141,5	98	81,5
108 x 4"	1	3	AXF243E04108000	169	122	99

Applications



DRINKING WATER



HEATING



HVAC



COMPRESSED AIR



FIREFIGHTING



MARINE



STEAM



SOLAR



INDUSTRIAL