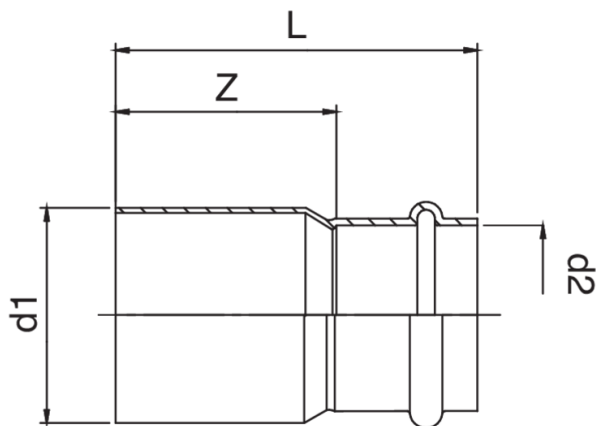


Réduction M/F.



Spécifications techniques



D1 X D2	BAG	MASTER BOX	CODE	A	ZA
88,9 x 76,1	1	5	AX0243089076000	182	127
108 x 76,1	1	2	AX0243108076000	265	210
108 x 88,9	1	5	AX0243108089000	249,5	189,5

Applications



DRINKING WATER



HEATING



HVAC



COMPRESSED AIR



FIREFIGHTING



MARINE



STEAM



SOLAR



INDUSTRIAL