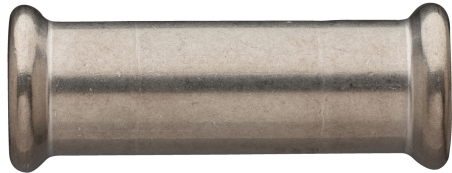




**FRABO**

**frabo**  
**press**  
316 M  
**AX0271**

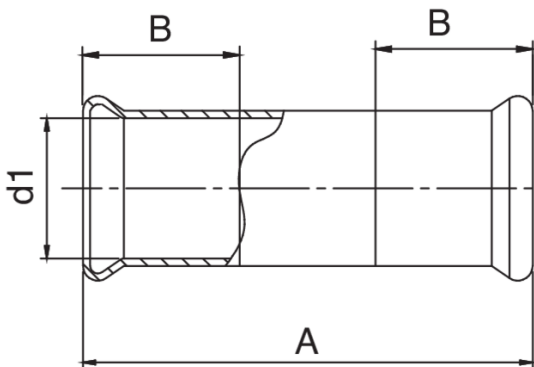
**PATENTED**



Manchon coulissant F/F.



## Spécifications techniques



D1	BAG	MASTER BOX	CODE	A
76,1	1	5	AX0271076076000	242
88,9	1	1	AX0271089089000	272
108	1	3	AX0271108108000	324

# Applications



DRINKING WATER



HEATING



HVAC



COMPRESSED AIR



FIREFIGHTING



MARINE



STEAM



SOLAR



INDUSTRIAL