



FRABO

frabo
press
316 M
AX0002

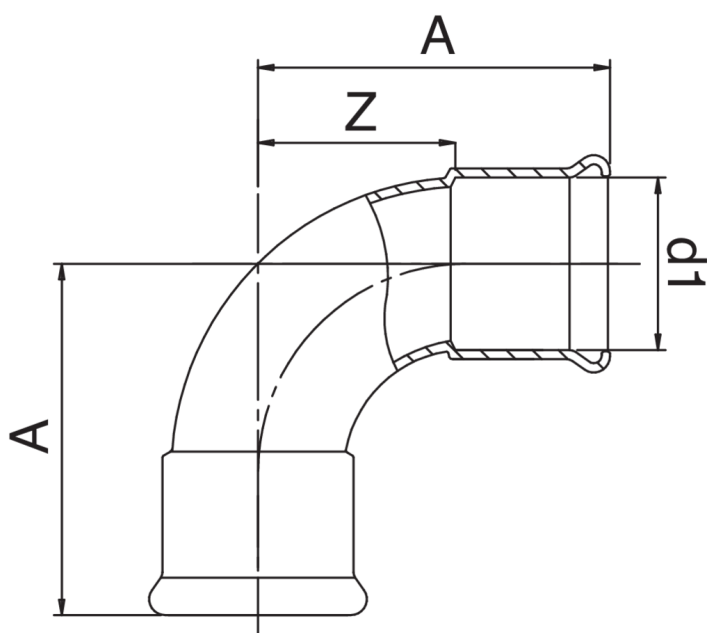
PATENTED



Courbe 90° F/F.



Spécifications techniques



D1	BAG	MASTER BOX	CODE	A	Z
76,1	1	5	AX0002076076000	148	93
88,9	1	4	AX0002089089000	174	111
108	1	2	AX0002108108000	215	138

Applications



DRINKING WATER



HEATING



HVAC



COMPRESSED AIR



FIREFIGHTING



MARINE



STEAM



SOLAR



INDUSTRIAL