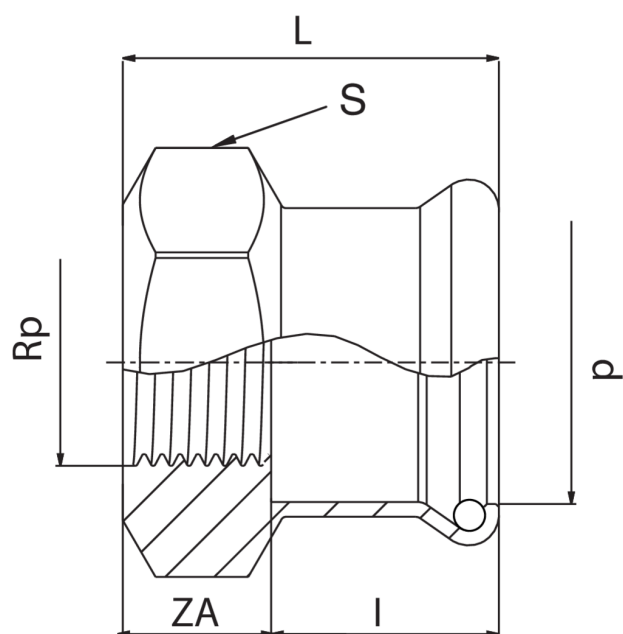


Manchon F/filetage femelle en bronze.



Spécifications techniques



D X RP	BAG	MASTER BOX	CODE	I	L	S	ZA
76,1 x 2"1/2	1	8	RB8270C12076000	55	93	86	38
88,9 x 3"	1	5	RB8270D03089000	55	95	98	40

Applications



DRINKING WATER



HEATING



HVAC



COMPRESSED AIR



FIREFIGHTING