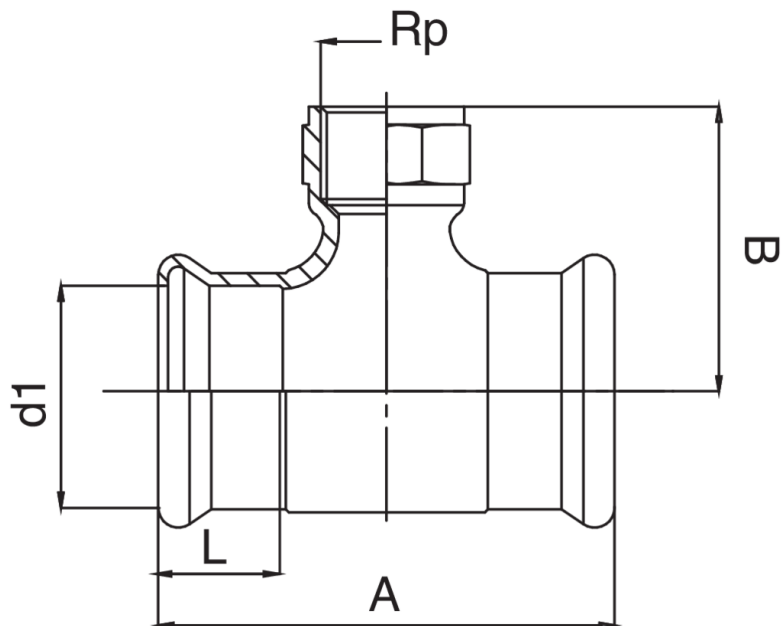


Té F/filetage femelle/F en bronze.



Spécifications techniques



D1 X RP	BAG	MASTER BOX	CODE	A	B	L
76,1 x 1/2"	1	4	RB8130076A12076	154	56	45
76,1 x 3/4"	1	6	RB8130076A34076	154	60	45
76,1 x 2"	1	5	RB8130076C02076	242	66	45
88,9 x 3/4"	1	4	RB8130089A34089	173	67	46
88,9 x 2"	1	4	RB8130089C02089	272	73	46
108 x 3/4"	1	2	RB8130108A34108	204	76	70
108 x 2"	1	2	RB8130108C02108	324	82	70

Applications



DRINKING WATER



HEATING



HVAC



COMPRESSED AIR



FIREFIGHTING