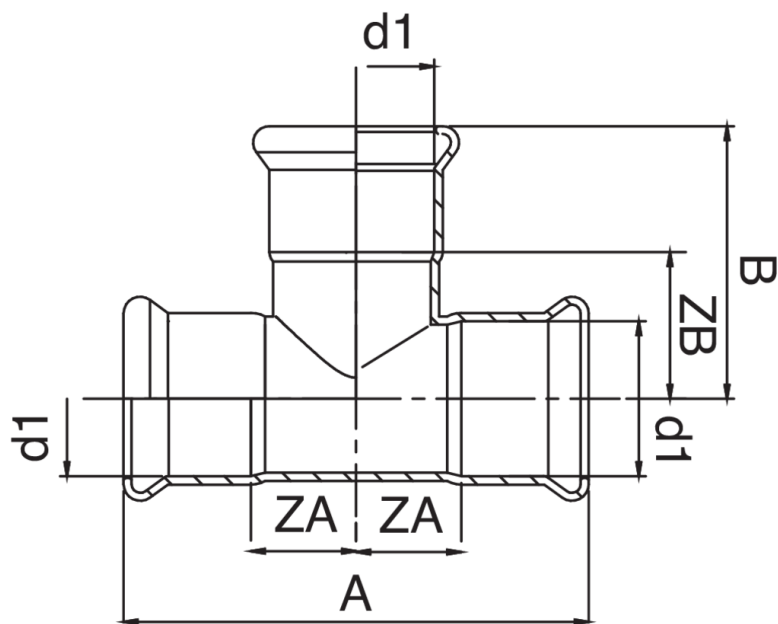




Té F/F/F en cuivre.



## Spécifications techniques



D1	BAG	MASTER BOX	CODE	A	B	ZA	ZB
66,7	1	5	RR9130067067067	182	104	59	46
76,1	1	5	RR9130076076076	242	66	63	118
88,9	1	4	RR9130089089089	272	76	70	130
108	1	2	RR9130108108108	324	92	90	160

# Applications



DRINKING WATER



HEATING



HVAC



COMPRESSED AIR



FIREFIGHTING