



FRABO

frabo
press
RR9041^M

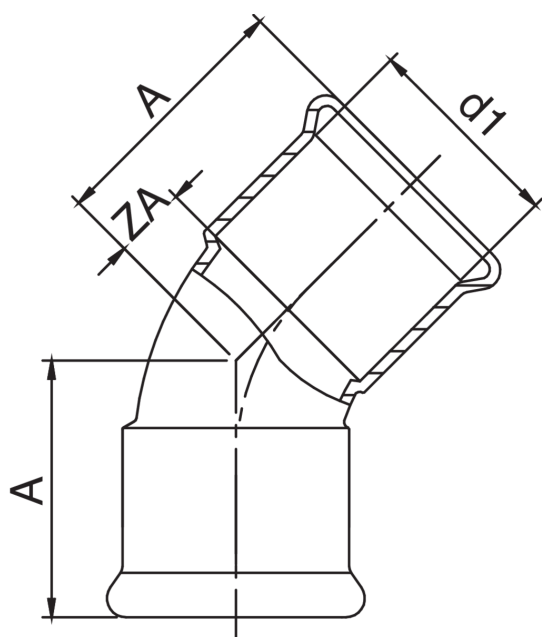
PATENTED



Courbe 45° F/F en cuivre.



Spécifications techniques



D1	BAG	MASTER BOX	CODE	A	ZA
66,7	1	10	RR9041067067000	78	33
76,1	1	10	RR9041076076000	93	38
88,9	1	4	RR9041089089000	104	44
108	1	2	RR9041108108000	124	68

Applications



DRINKING
WATER



HEATING



HVAC



COMPRESSED
AIR



FIREFIGHTING