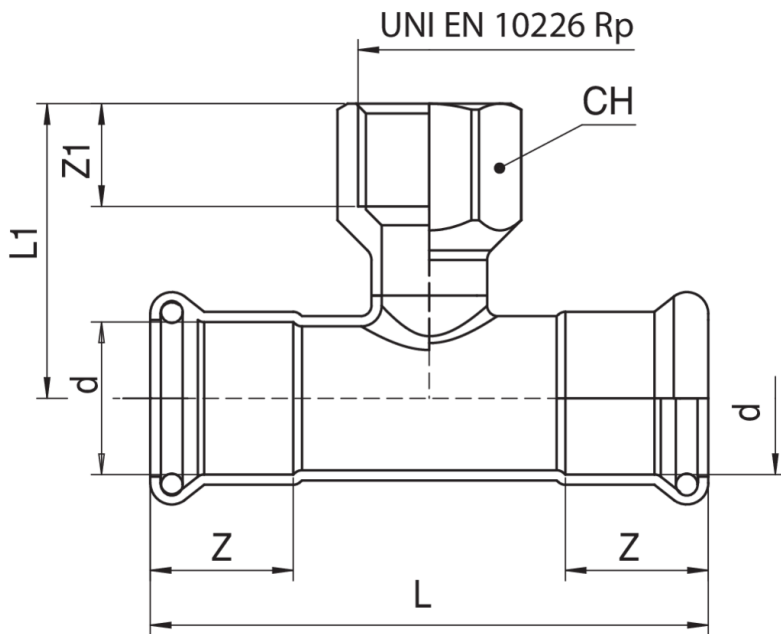


Tee femelle.

Spécifications techniques



| D X RP X D | BAG | MASTER BOX | CODE | L | L1 | Z | Z1 | CH |
|--------------------|-----|------------|----------------|-----|------|------|------|----|
| 15 x 1/2" x 15 | 10 | 160 | 5N3100150415 | 67 | 39 | 19 | 15 | 24 |
| 18 x 1/2" x 18 | 10 | 160 | 5N3100180418 | 70 | 41 | 19,5 | 15 | 24 |
| 22 x 1/2" x 22 | 5 | 100 | 5N3100220422 | 82 | 43 | 21 | 15 | 24 |
| 22 x 3/4" x 22 | 5 | 75 | 5N3100220522 | 82 | 43 | 21 | 16,3 | 30 |
| 28 x 1/2" x 28 | 5 | 60 | 5N3100280428 | 90 | 46 | 22 | 15 | 24 |
| 28 x 3/4" x 28 | 5 | 60 | 5N3100280528 | 90 | 46 | 22 | 16 | 30 |
| 35 x 1/2" x 35 | 5 | 40 | 5N3100350435 | 106 | 47,5 | 27 | 15 | 24 |
| 35 x 3/4" x 35 | 5 | 40 | 5N3100350535 | 106 | 47,5 | 27 | 16,3 | 30 |
| 42 x 1/2" x 42 | 2 | 30 | 5N3100420442 | 118 | 51 | 30 | 15 | 24 |
| 42 x 3/4" x 42 | 2 | 24 | 5N3100420542 | 118 | 51 | 30 | 16,3 | 30 |
| 54 x 1/2" x 54 | 2 | 16 | 5N3100540454 | 144 | 58 | 35 | 15 | 24 |
| 54 x 3/4" x 54 | 2 | 16 | 5N3100540554 | 144 | 58 | 35 | 16,3 | 30 |
| 76,1 x 3/4" x 76,1 | 1 | 6 | 5N3100760576 | 232 | 70 | 54 | 16,3 | 30 |
| 88,9 x 3/4" x 88,9 | 1 | 3 | 5N3100880588 | 243 | 76 | 61 | 16,3 | 30 |
| 108 x 3/4" x 108 | 1 | 2 | 5N310010805108 | 310 | 90 | 76 | 16,3 | 30 |

Applications



MARINE