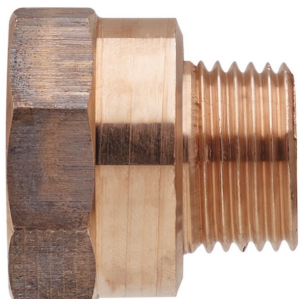
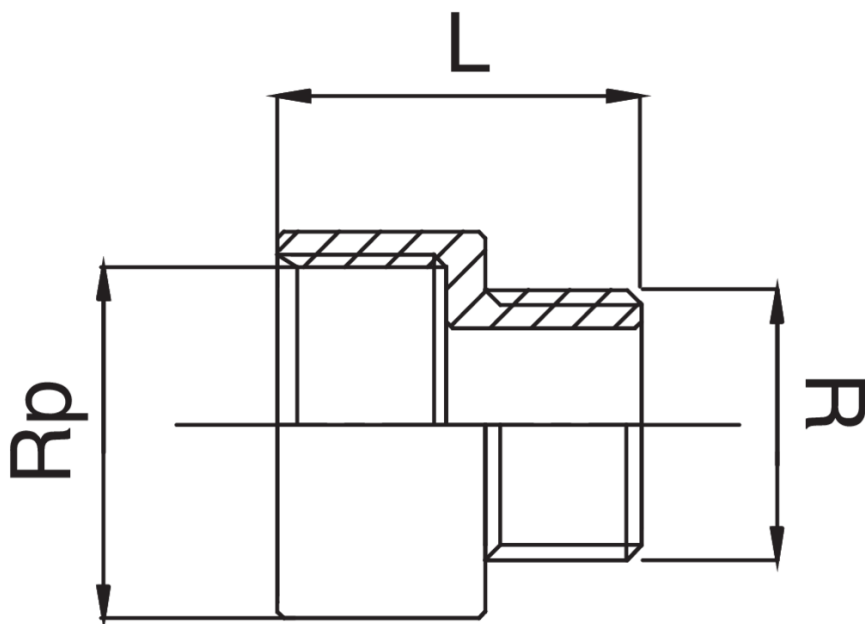


RB3242

Réduction filetage femelle/mâle.



Spécifications techniques



RP X R	BAG	MASTER BOX	CODE	L
3/8" x 1/4"	10	200	RB3242A38A14000	23
1/2" x 3/8"	10	250	RB3242A12A38000	24
3/4" x 3/8"	10	200	RB3242A34A38000	26
3/4" x 1/2"	10	150	RB3242A34A12000	28
1" x 1/2"	10	100	RB3242B01A12000	30
1" x 3/4"	10	100	RB3242B01A34000	31
1"1/4 x 1"	5	30	RB3242B14B01000	35

Applications



DRINKING WATER



HEATING



HVAC



GAS



COMPRESSED AIR



SOLAR



FIREFIGHTING