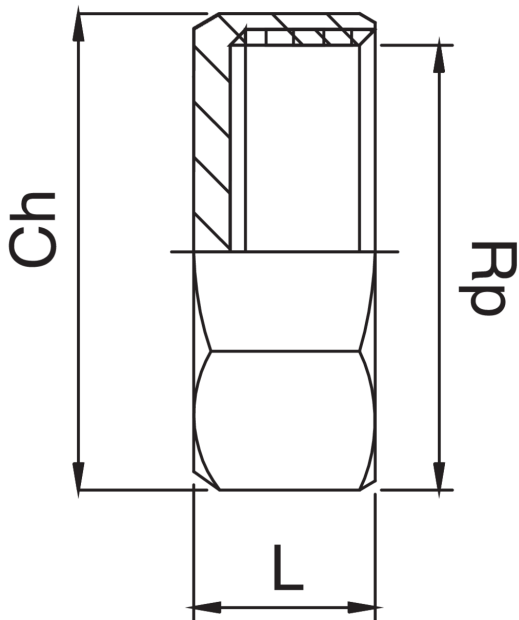


RB3301

Bouchon filetage femelle.



Spécifications techniques



| RP | BAG | MASTER BOX | CODE | CH | L |
|-------|-----|------------|-----------------|----|----|
| 3/8" | 10 | 300 | RB3301A38000000 | 21 | 13 |
| 1/2" | 10 | 80 | RB3301A12000000 | 25 | 16 |
| 3/4" | 10 | 80 | RB3301A34000000 | 31 | 18 |
| 1" | 10 | 150 | RB3301B01000000 | 38 | 21 |
| 1"1/4 | 5 | 80 | RB3301B14000000 | 48 | 23 |
| 1"1/2 | 5 | 80 | RB3301B12000000 | 55 | 23 |
| 2" | 5 | 40 | RB3301C02000000 | 66 | 24 |

Applications



DRINKING
WATER



HEATING



HVAC



GAS



COMPRESSED
AIR



SOLAR



FIREFIGHTING