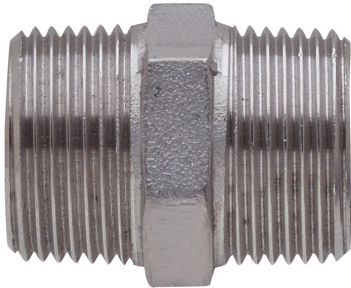
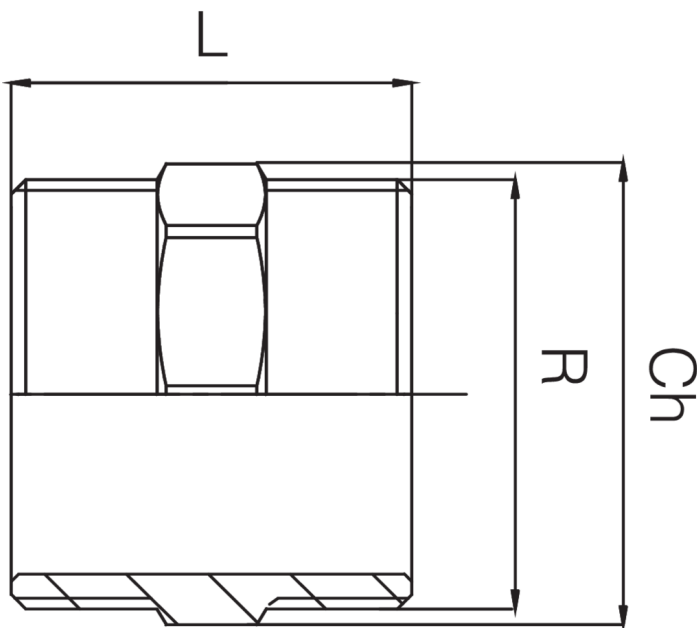


KR5520

Manchon filetage mâle/mâle.



Spécifications techniques



R	BAG	MASTER BOX	CODE	L	CH
3/8"	10	400	KR5520A38A38000	26	17
1/2"	10	250	KR5520A12A12000	28	21
3/4"	10	150	KR5520A34A34000	31	27
1"	10	100	KR5520B01B01000	40	34

Applications



DRINKING
WATER



HEATING



HVAC