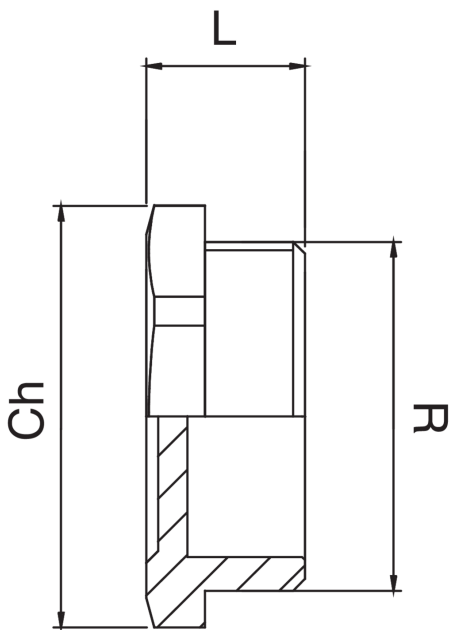


KR5505

Bouchon filetage mâle.



Spécifications techniques



R	BAG	MASTER BOX	CODE	L	CH
3/8"	10	500	KR5505A38000000	14	19
1/2"	10	400	KR5505A12000000	14	24
3/4"	10	250	KR5505A34000000	16	30
1"	10	150	KR5505B01000000	17	37

Applications



DRINKING
WATER



HEATING



HVAC