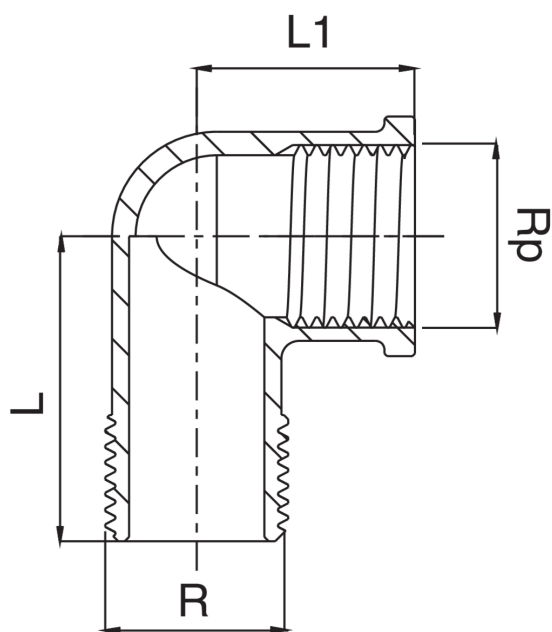


## KR5092

Coude filetage femelle/mâle.



### Spécifications techniques



RP X R	BAG	MASTER BOX	CODE	L	L1
3/8" x 3/8"	10	150	KR5092A38A38000	29	21
1/2" x 1/2"	10	100	KR5092A12A12000	35	25
3/4" x 3/4"	10	70	KR5092A34A34000	40	27
1" x 1"	5	40	KR5092B01B01000	48	32

# Applications

---



DRINKING  
WATER



HEATING



HVAC