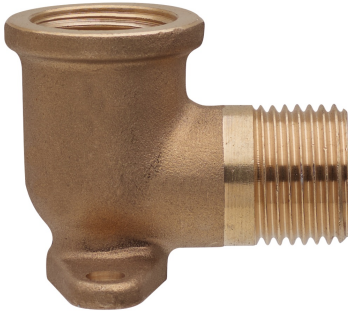
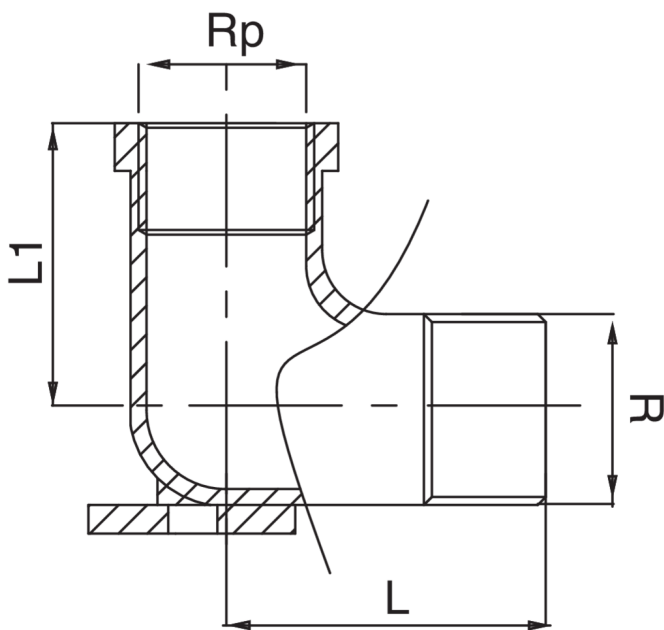


OT5473

Applique coude filetage mâle/femelle.



Spécifications techniques



RP X R	BAG	MASTER BOX	CODE	L	L1
1/2" x 1/2"	10	50	OT5473A12A12000	35	25

Applications



DRINKING WATER



HEATING



HVAC



GAS



COMPRESSED AIR



SOLAR



FIREFIGHTING