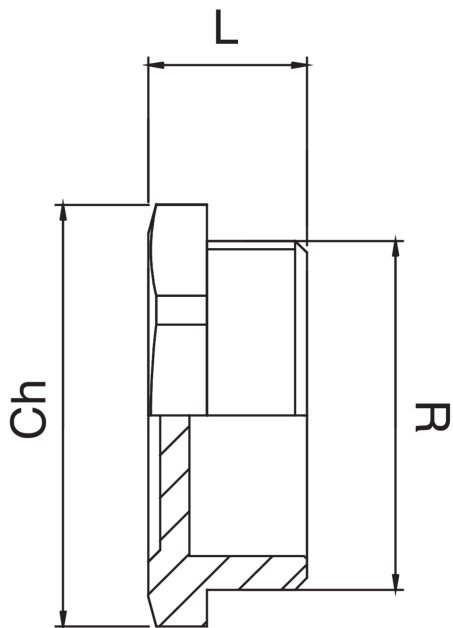


## OT5505

Bouchon filetage mâle.



### Spécifications techniques



R	BAG	MASTER BOX	CODE	L	CH
1/4"	10	300	OT5505A14000000	14	22
3/8"	10	500	OT5505A38000000	14	19
1/2"	10	300	OT5505A12000000	14	24
3/4"	10	250	OT5505A34000000	16	30
1"	10	150	OT5505B01000000	17	37
1"1/4	10	100	OT5505B14000000	19,5	46
1"1/2	5	70	OT5505B12000000	22	52
2"	5	30	OT5505C02000000	27	65
2"1/2	5	20	OT5505C12000000	35	76
3"	1	15	OT5505D03000000	55	85

## Applications



DRINKING  
WATER



HEATING



HVAC



GAS



COMPRESSED  
AIR



SOLAR



FIREFIGHTING