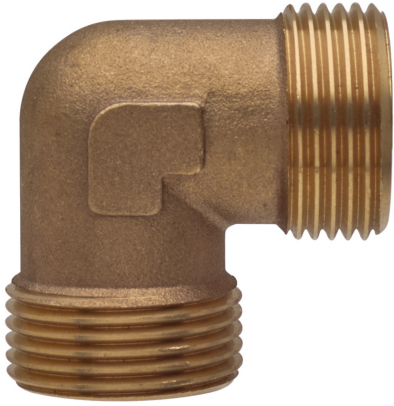
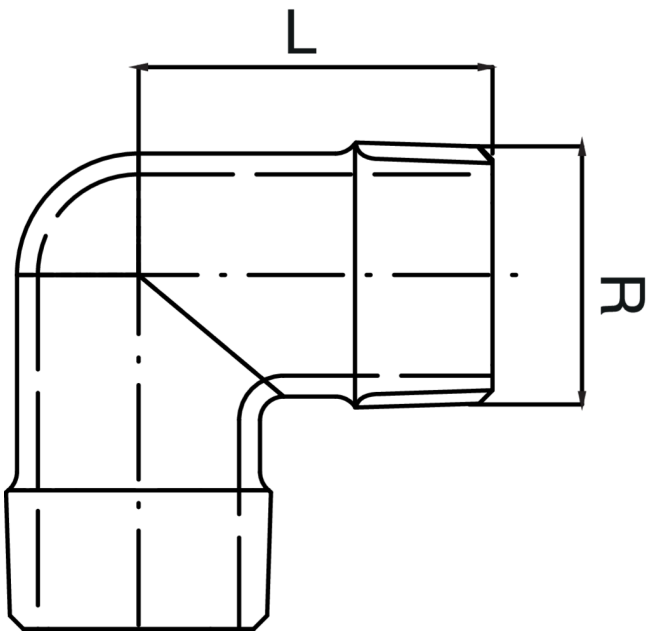


OT5134

Coude filetage mâle/mâle.



Spécifications techniques



R	BAG	MASTER BOX	CODE	L
3/4"	10	100	OT5134A34A34000	28

Applications



DRINKING WATER



HEATING



HVAC



GAS



COMPRESSED AIR



SOLAR



FIREFIGHTING