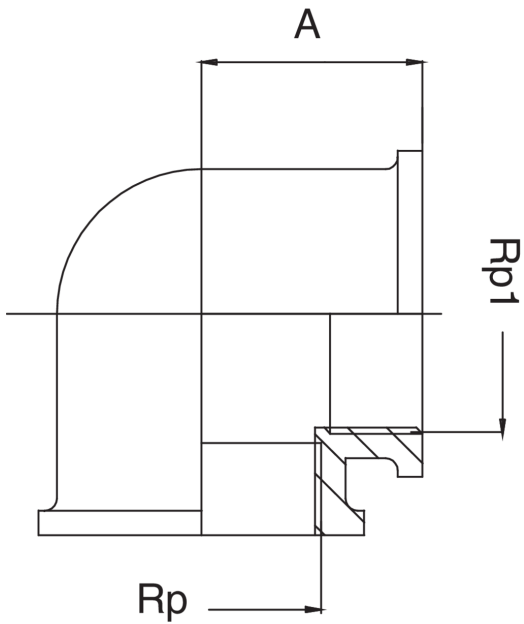


## OT5090

Coude filetage femelle/femelle.



### Spécifications techniques



| RP X RP1      | BAG | MASTER BOX | CODE            | A  |
|---------------|-----|------------|-----------------|----|
| 1/4" x 1/4"   | 10  | 200        | OT5090A14A14000 | 19 |
| 3/8" x 3/8"   | 10  | 150        | OT5090A38A38000 | 21 |
| 1/2" x 1/2"   | 10  | 100        | OT5090A12A12000 | 25 |
| 1/2" x 3/4"   | 10  | 100        | OT5090A12A34000 | 26 |
| 3/4" x 3/4"   | 5   | 70         | OT5090A34A34000 | 27 |
| 1" x 3/4"     | 10  | 50         | OT5090B01A34000 | 29 |
| 1" x 1"       | 5   | 40         | OT5090B01B01000 | 31 |
| 1"1/4 x 1"1/4 | 5   | 25         | OT5090B14B14000 | 40 |
| 1"1/2 x 1"1/2 | 5   | 15         | OT5090B12B12000 | 45 |
| 2" x 2"       | 1   | 10         | OT5090C02C02000 | 50 |
| 2"1/2 x 2"1/2 | 1   | 4          | OT5090C12C12000 | 60 |
| 3" x 3"       | 1   | 5          | OT5090D03D03000 | 70 |

## Applications



DRINKING  
WATER



HEATING



HVAC



GAS



COMPRESSED  
AIR



SOLAR



FIREFIGHTING