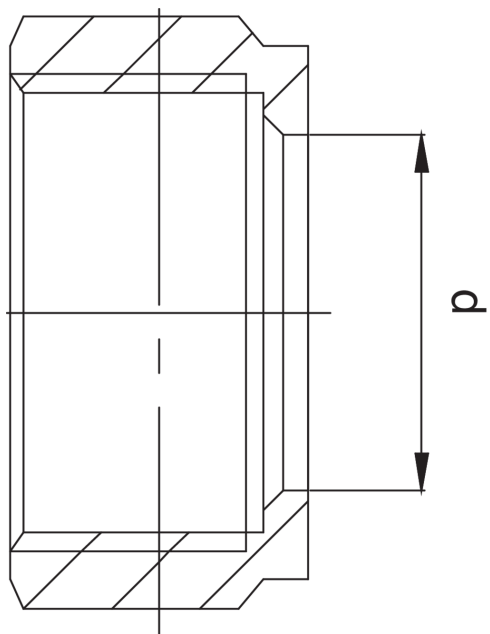


OT6012

Ecrou.



Spécifications techniques



D	BAG	MASTER BOX	CODE
8	10	10	OT6012008000000
18	10	10	OT6012018000000

Applications



DRINKING WATER



HEATING



HVAC



GAS



COMPRESSED AIR



SOLAR