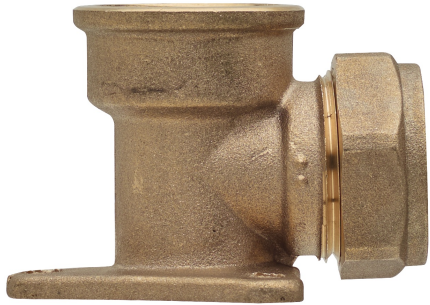
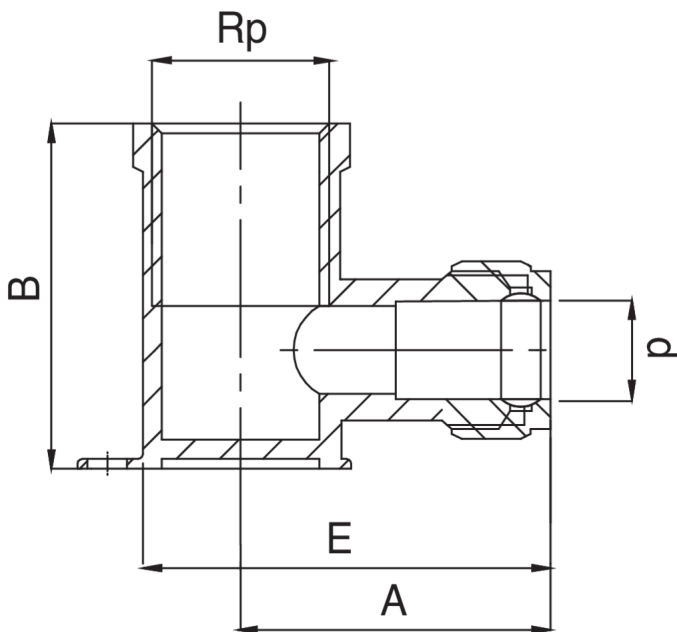


OT6471

Applique coude F/filetage femelle.



Spécifications techniques



D X RP	BAG	MASTER BOX	CODE	A	B	E
10 x 3/8"	10	100	OT6471A38010000	31,5	33	48
12 x 1/2"	10	100	OT6471A12012000	34	34	50
15 x 1/2"	10	100	OT6471A12015000	37,5	37,5	52
16 x 1/2"	10	100	OT6471A12016000	37,5	37,5	52
22 x 3/4"	10	80	OT6471A34022000	39,5	54	60

Applications



DRINKING WATER



HEATING



HVAC



GAS



COMPRESSED AIR



SOLAR