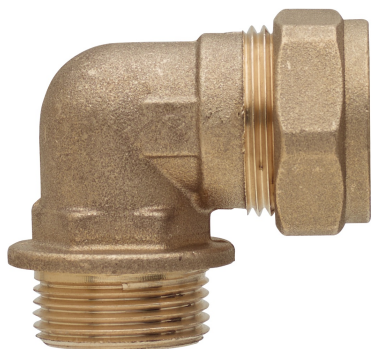
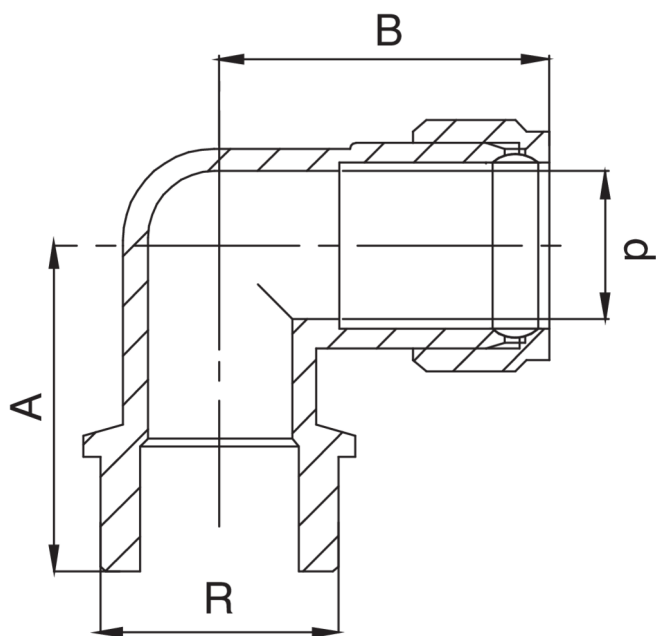


OT6092

Coude F/filetage mâle.



Spécifications techniques



D X R	BAG	MASTER BOX	CODE	A	B
10 x 3/8"	10	200	OT6092A38010000	25	26
12 x 3/8"	10	200	OT6092A38012000	25	26,5
12 x 1/2"	10	100	OT6092A12012000	25	26,5
14 x 1/2"	10	100	OT6092A12014000	28	28
15 x 1/2"	10	100	OT6092A12015000	28	29
16 x 1/2"	10	100	OT6092A12016000	28	29,5
18 x 1/2"	10	100	OT6092A12018000	30	30,5
18 x 3/4"	10	100	OT6092A34018000	31	33,5
22 x 3/4"	10	100	OT6092A34022000	32,5	33,5
22 x 1"	10	50	OT6092B01022000	36	37,5
28 x 1"	10	50	OT6092B01028000	40	42

Applications



DRINKING
WATER



HEATING



HVAC



GAS



COMPRESSED
AIR



SOLAR