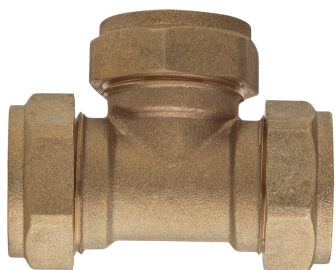
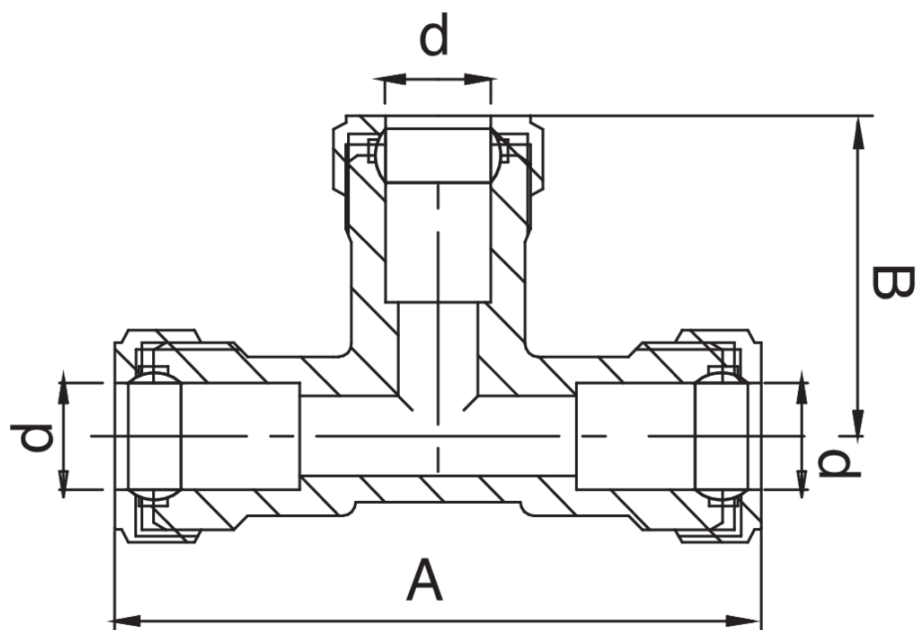


## OT6005

Té F/F/F.



### Spécifications techniques



D	BAG	MASTER BOX	CODE	A	B
8	10	100	OT6005008008008	47	23,5
10	10	100	OT6005010010010	52	26
12	10	100	OT6005012012012	53	26,5
14	10	100	OT6005014014014	57	28,5
15	10	100	OT6005015015015	58	29
16	10	100	OT6005016016016	59	29,5
18	10	100	OT6005018018018	61	30,5
22	10	50	OT6005022022022	67	33,5
28	10	30	OT6005028028028	84	42

# Applications



DRINKING WATER



HEATING



HVAC



GAS



COMPRESSED AIR



SOLAR