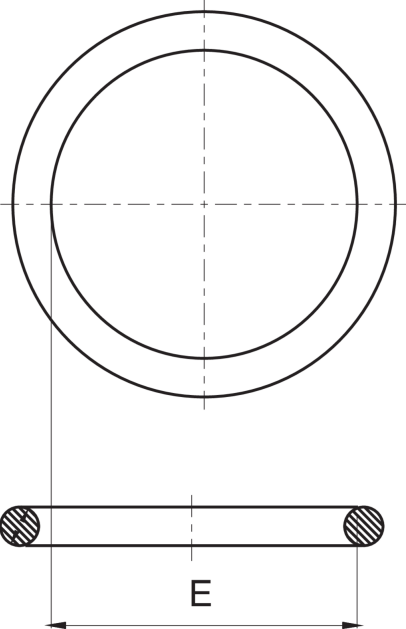


## OR2000

Joint gris.



### Spécifications techniques



E	BAG	MASTER BOX	CODE
8	10	1000	OR2000008000000
10	10	1000	OR2000010000000
12	10	1000	OR2000012000000
14	10	1000	OR2000014000000
16	10	1000	OR2000016000000
18	10	1000	OR2000018000000
22	10	1000	OR2000022000000
28	10	1000	OR2000028000000

## Applications



DRINKING  
WATER



HEATING



HVAC



GAS



COMPRESSED  
AIR