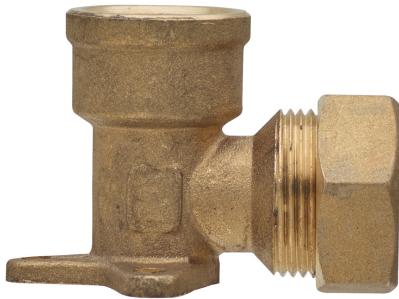
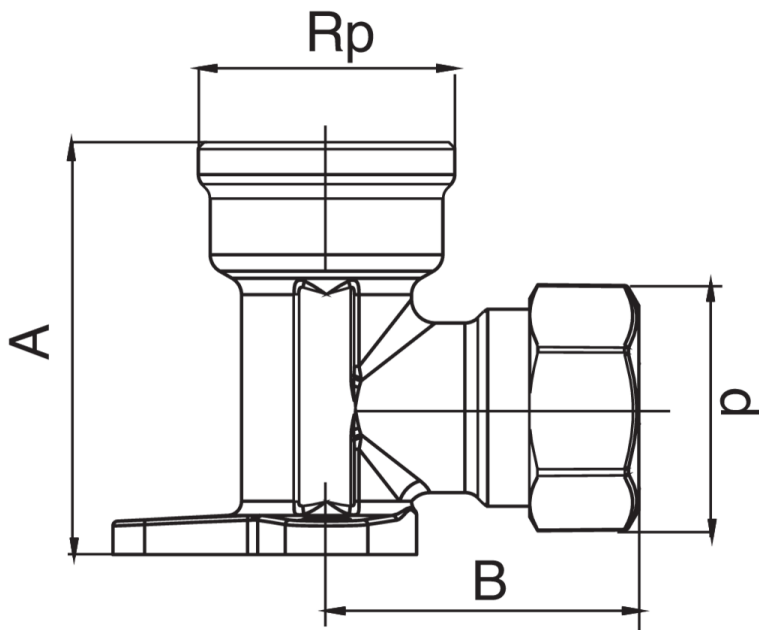


OT2471

Applique coude F/filetage femelle.



Spécifications techniques



D X RP	BAG	MASTER BOX	CODE	A	B
12 x 1/2"	5	50	OT2471A12012000	43,5	32
14 x 1/2"	10	50	OT2471A12014000	43,5	32,3
16 x 1/2"	10	50	OT2471A12016000	43,5	34

Applications



DRINKING WATER



HEATING



HVAC



GAS



COMPRESSED AIR