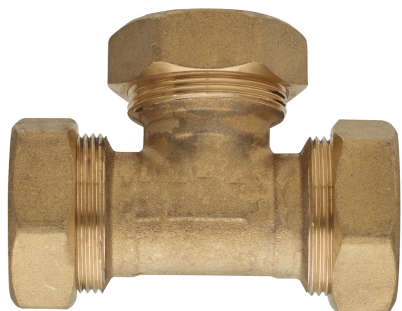
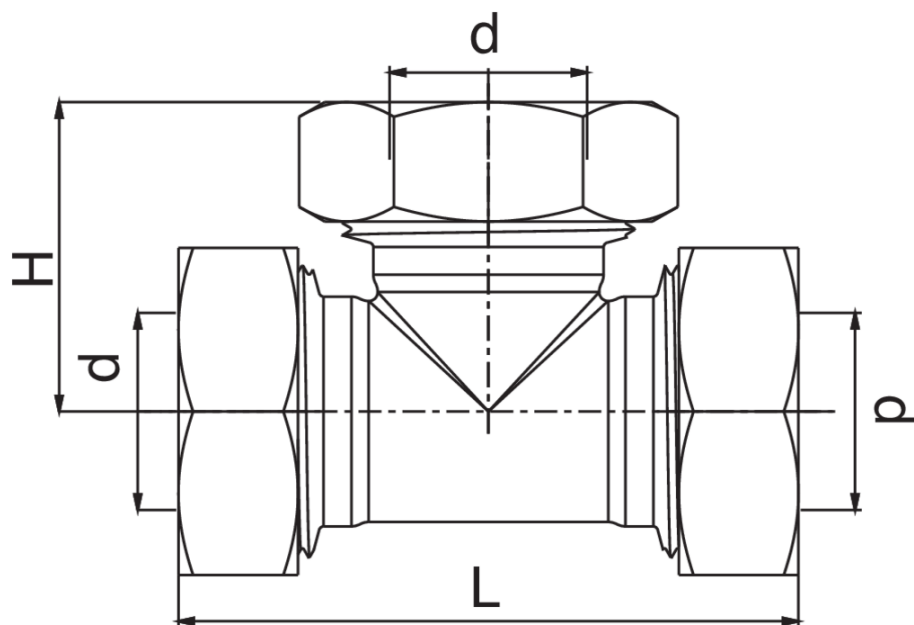


OT2005

Té F/F/F.



Spécifications techniques



D	BAG	MASTER BOX	CODE	H	L
10	10	100	OT2005010010010	34	65
12	5	100	OT2005012012012	35	69,5
14	5	50	OT2005014014014	36,5	71
16	5	50	OT2005016016016	38	75,5
18	10	50	OT2005018018018	39	78
22	5	30	OT2005022022022	40	80,5

Applications



DRINKING WATER



HEATING



HVAC



GAS



COMPRESSED AIR