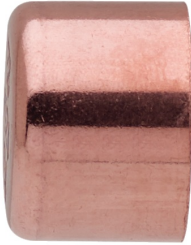
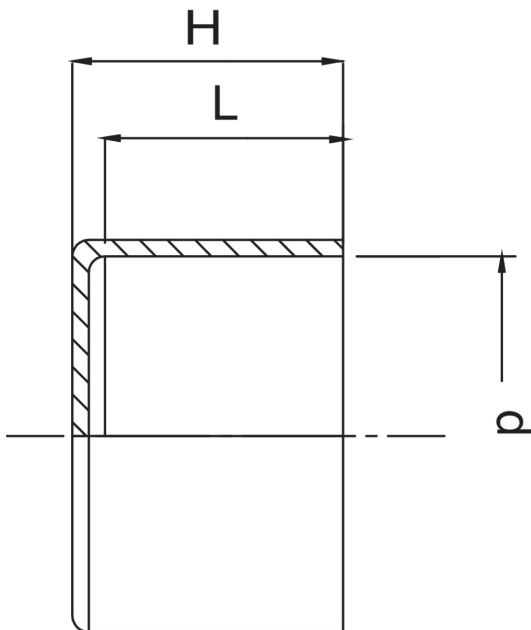


RR5301

Bouchon F.



Spécifications techniques



D	BAG	MASTER BOX	CODE	H MIN	L MIN
8	10	600	RR5301008000000	9	6,8
10	10	2500	RR5301010000000	9,5	7,8
12	10	1500	RR5301012000000	10,5	8,6
14	10	1000	RR5301014000000	12,5	10,6
15	10	600	RR5301015000000	12,5	10,6
16	10	400	RR5301016000000	12,5	10,6
18	10	500	RR5301018000000	15	12,6
22	10	300	RR5301022000000	18	15,4
28	10	200	RR5301028000000	21	18,4
35	5	100	RR5301035000000	25,5	23
42	5	70	RR5301042000000	30	27
54	5	100	RR5301054000000	36	32
64	1	50	RR5301064000000	37,5	32,5
66,7	1	30	RR5301067000000	40	33,5
76,1	1	25	RR5301076000000	40	33,5
80	1	25	RR5301080000000	43	35,5
89	1	25	RR5301089000000	45	37,5
108	1	5	RR5301108000000	55	47,5

Applications



DRINKING
WATER



HEATING



HVAC



GAS



COMPRESSED
AIR



SOLAR



INDUSTRIAL