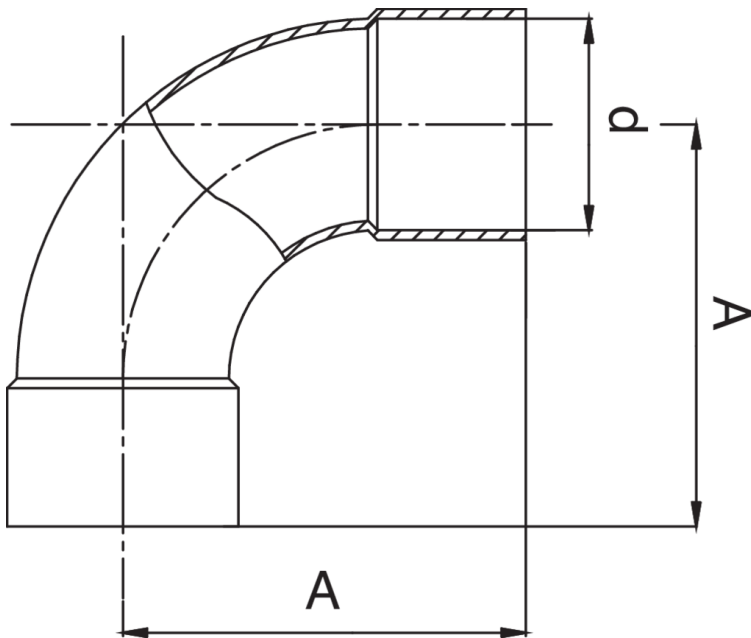


RR5002

Courbe 90° F/F.



Spécifications techniques



| D | BAG | MASTER BOX | CODE | A |
|------|-----|------------|-----------------|-------|
| 6 | 10 | 1000 | RR5002006006000 | 15,5 |
| 8 | 10 | 1000 | RR5002008008000 | 16,5 |
| 10 | 10 | 700 | RR5002010010000 | 19,5 |
| 12 | 10 | 500 | RR5002012012000 | 22 |
| 14 | 10 | 300 | RR5002014014000 | 27 |
| 15 | 10 | 300 | RR5002015015000 | 28 |
| 16 | 10 | 200 | RR5002016016000 | 28 |
| 18 | 10 | 180 | RR5002018018000 | 31 |
| 20 | 10 | 300 | RR5002020020000 | 40 |
| 22 | 10 | 100 | RR5002022022000 | 39 |
| 25 | 10 | 150 | RR5002025025000 | 44,5 |
| 28 | 10 | 60 | RR5002028028000 | 49 |
| 32 | 5 | 80 | RR5002032032000 | 60 |
| 35 | 5 | 30 | RR5002035035000 | 62 |
| 36 | 5 | 80 | RR5002036036000 | 62 |
| 40 | 5 | 50 | RR5002040040000 | 73,5 |
| 42 | 5 | 40 | RR5002042042000 | 75,5 |
| 52 | 1 | 10 | RR5002052052000 | 93,5 |
| 54 | 1 | 10 | RR5002054054000 | 93 |
| 63 | 1 | 12 | RR5002063063000 | 109,5 |
| 64 | 1 | 6 | RR5002064064000 | 109,5 |
| 66,7 | 1 | 12 | RR5002067067000 | 127 |
| 76,1 | 1 | 8 | RR5002076076000 | 125 |
| 80 | 1 | 6 | RR5002080080000 | 153 |
| 88,9 | 1 | 6 | RR5002089089000 | 144,5 |
| 108 | 1 | 2 | RR5002108108000 | 179 |

Applications



DRINKING
WATER



HEATING



HVAC



GAS



COMPRESSED
AIR



SOLAR



INDUSTRIAL