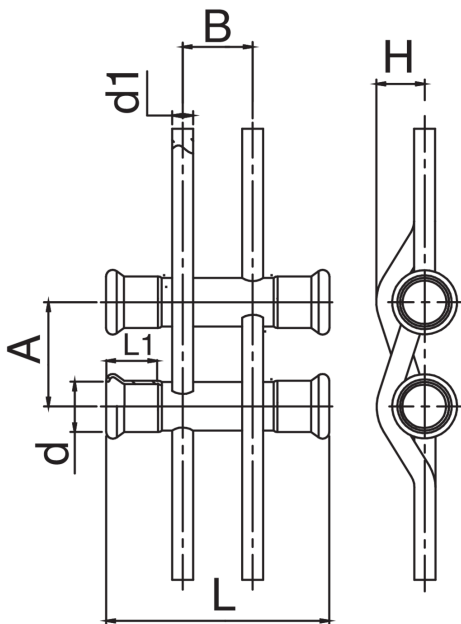




Raccord double aller-retour.



Spécifications techniques



D X D1	BAG	MASTER BOX	CODE	A	B	L	L1	H
18 x 15	1	5	CM0360018015000	60	40	120	19	46
22 x 15	1	5	CM0360022015000	60	40	120	21	50
28 x 15	1	5	CM0360028015000	60	40	120	22	57
35 x 15	1	5	CM0360035015000	60	40	120	25	64

Applications



HEATING



HVAC



COMPRESSED
AIR