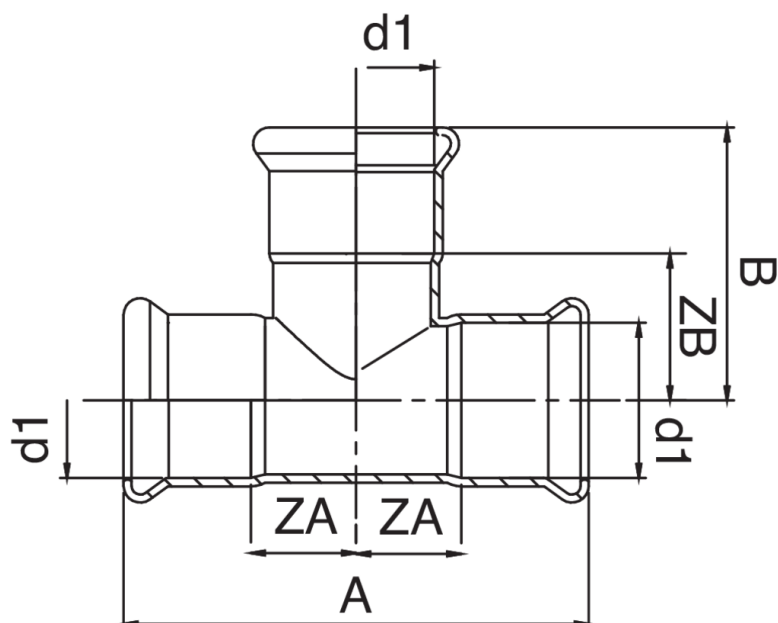


Té F/F/F.



Spécifications techniques



D1	BAG	MASTER BOX	CODE	A	B	ZA	ZB
15	10	100	CM0130015015015	75	38	18,5	19
18	10	50	CM0130018018018	80	39	21	20
22	5	40	CM0130022022022	82	44	20	23
28	5	30	CM0130028028028	92	49	24	27
35	5	20	CM0130035035035	102	57	26	32
42	1	10	CM0130042042042	118	69	30	40
54	1	10	CM0130054054054	142	79	37	45

Applications



HEATING



HVAC



COMPRESSED
AIR