



FRABO

frabo
press
C-STEEL M
CM0041

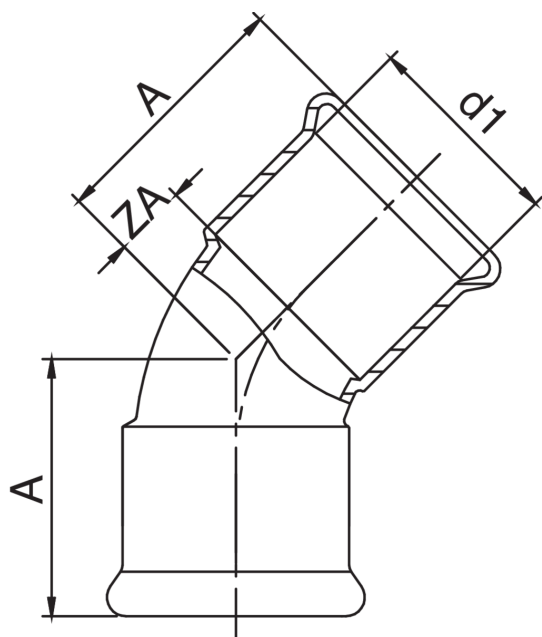
PATENTED



Courbe 45° F/F.



Spécifications techniques



D1	BAG	MASTER BOX	CODE	A	ZA
15	10	200	CM0041015015000	28	9
18	10	150	CM0041018018000	29	10
22	10	80	CM0041022022000	34	13
28	5	60	CM0041028028000	37	15
35	5	40	CM0041035035000	44	19
42	5	20	CM0041042042000	51	22
54	1	10	CM0041054054000	62	28

Applications



HEATING



HVAC



COMPRESSED
AIR