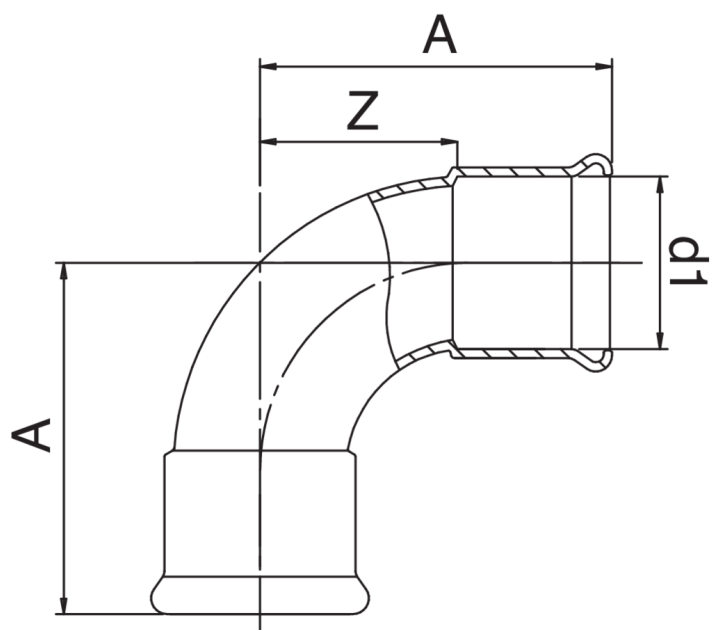




Courbe 90° F/F.



## Spécifications techniques



D1	BAG	MASTER BOX	CODE	A	Z
15	10	150	CM0002015015000	36	16
18	10	100	CM0002018018000	41	21
22	10	60	CM0002022022000	46	23
28	5	40	CM0002028028000	57	34
35	5	30	CM0002035035000	62	36
42	1	10	CM0002042042000	76	46
54	1	7	CM0002054054000	94	59

## Applications



HEATING



HVAC



COMPRESSED  
AIR