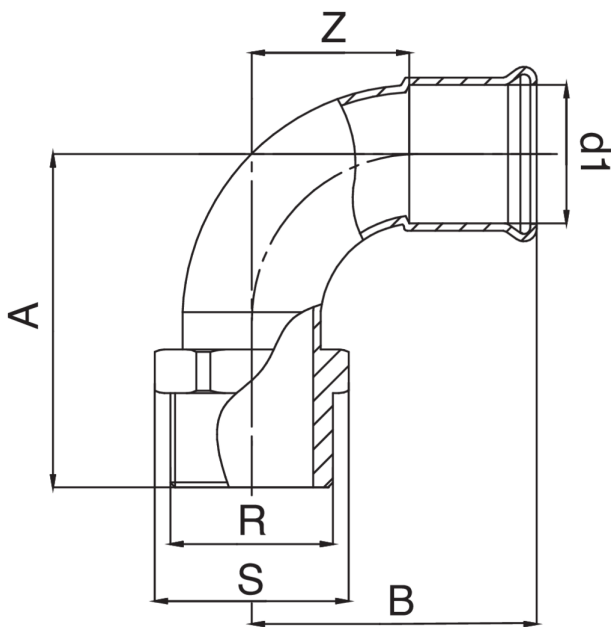




Coude 90° F/filetage mâle.

Spécifications techniques



R X D1	BAG	MASTER BOX	CODE	A	B	S	Z
1/2" x 15	5	30	GMF92LA12015000	42	45	25	23,5
1/2" x 18	5	80	GMF92LA12018000	45	49	24	26,5
1/2" x 22	5	30	GMF92LA12022000	45	49	25	26,5
3/4" x 22	5	20	GMF92LA34022000	51	54	30	30,5
1" x 28	5	15	GMF92LB01028000	61	63	38	38,5
1"1/4 x 35	1	10	GMF92LB14035000	69	74	45	48,5
1"1/2 x 42	1	2	GMF92LB12042000	89	89	50	53,5
2" x 54	1	5	GMF92LC02054000	144	108	70	68,5

Applications



GAS



COMPRESSED
AIR



INDUSTRIAL